

DATE
APRIL 6, 2007
CAT. #: XP0754C

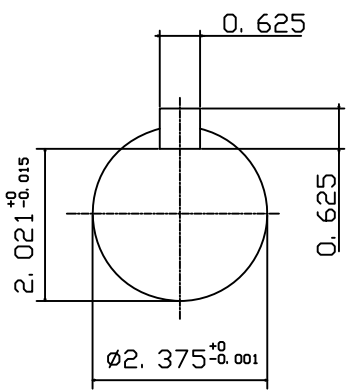
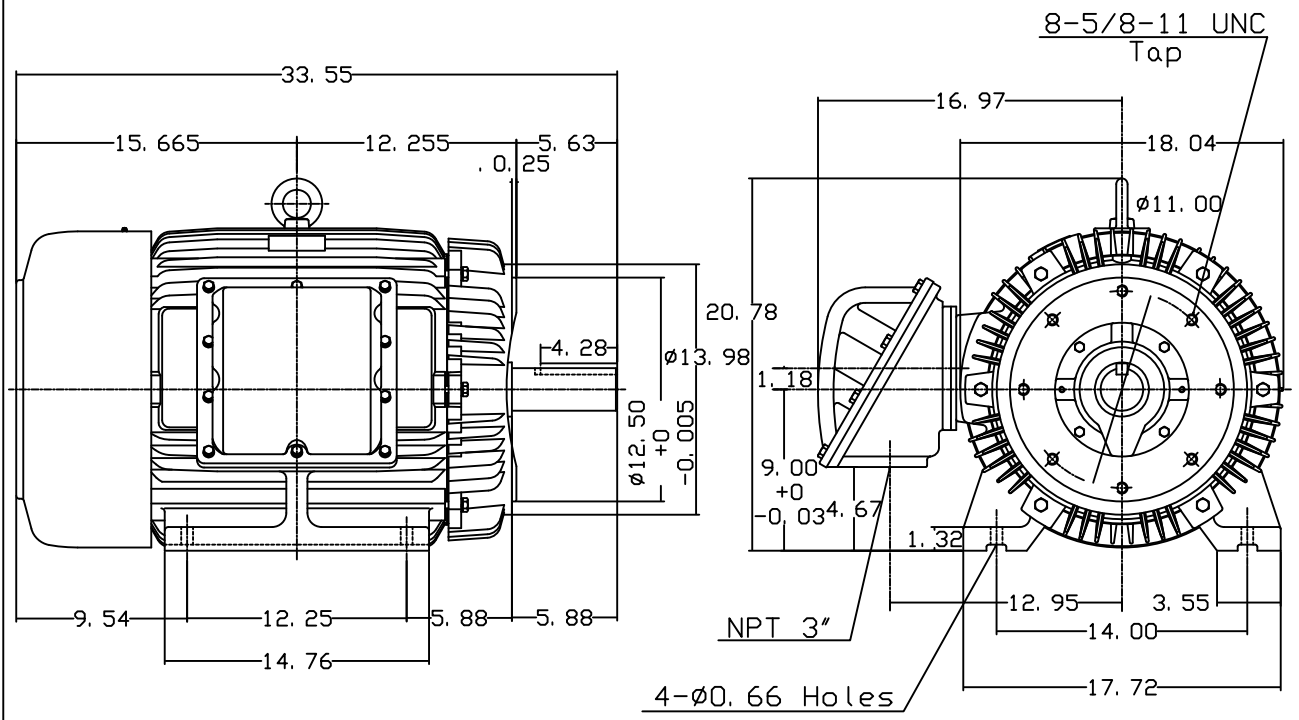
OUTLINE DIMENSIONS
3-PHASE INDUCTION MOTOR

MOTOR TYPE:
AEHHXF
FRAME NO. 365TC

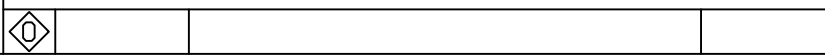
Pole	HP	KW	Hz	VOLT	Syn. Speed r/min(rpm)
4	75	56	60	230/460	1800

Ins	Rating	Dimension in	Approx Weight	Bearings	
F	CONT.	inches	1030 LBS	DE: 6313	NDE: 6213

Totally Enclosed Fan-Cooled Type. Squirrel-cage Rotor.



Note:
1. Explosion proof:
Class I Group D and
Class II Group E, F, G.



DWN.	J. H. LIANG	11-30-00
CHKD.	C. H. KAO	03-16-01
APP'D.	Y. B. HUANG	03-16-01



DWG NO.
31049M632240