

DATE  
MAY 15, 2013  
CATALOG NO.  
XPO608

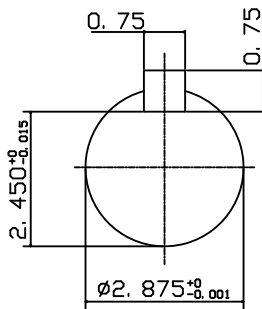
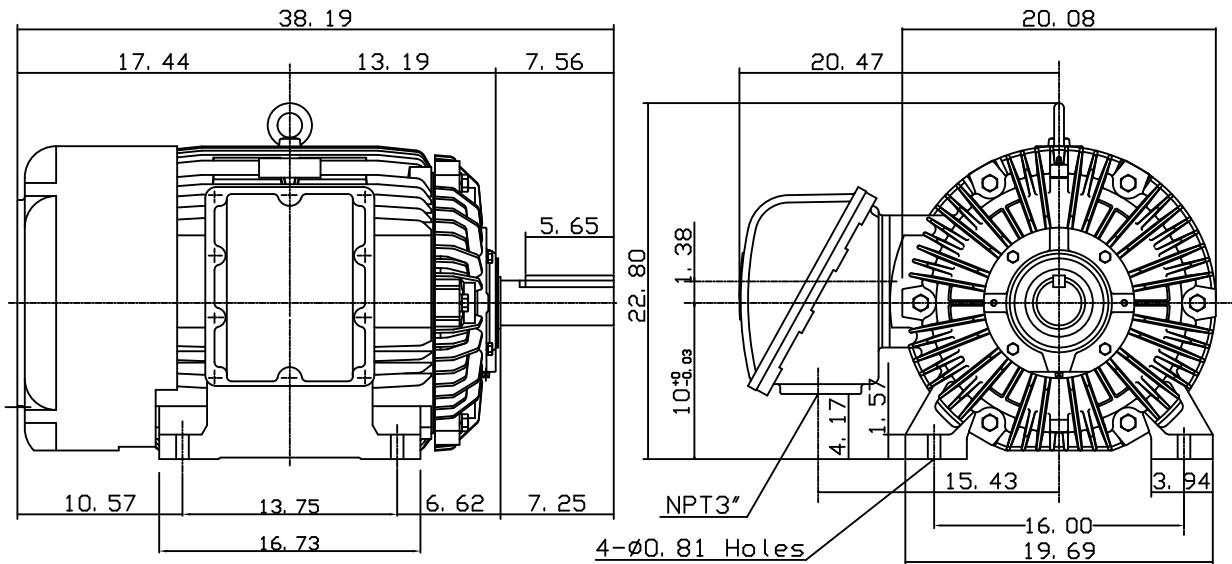
OUTLINE DIMENSIONS  
3-PHASE INDUCTION MOTOR

MOTOR TYPE:  
AEHHXU  
FRAME NO. 405T

Pole	HP	KW	Hz	VOLT	RPM
8	60	44.76	60	230/460	900

Ins	Rating	Dimension in	Approx Weight	Bearings	
F	CONT.	inches	1408 lbs.	DE: 6317	NDE: 6313

Totally Enclosed Fan-Cooled Type, Squirrel-cage Rotor.



Note:

- EXPLOSION-PROOF:  
Class I GROUP D AND  
CLASS II GROUP E,F,G.

WC0293-1

DWN.	G. L. GUD	06-19-00
CHKD.	C. H. KAD	06-22-00
APPD.	Y. B. HUANG	06-22-00

TECO Westinghouse

DWG NO.

31049M634150