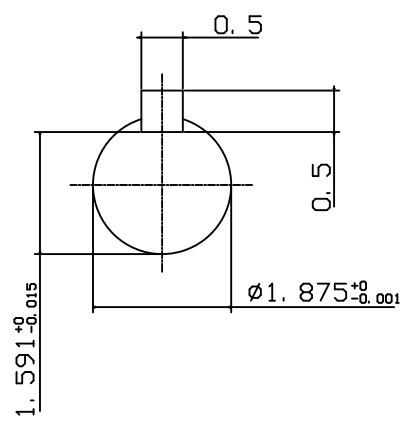
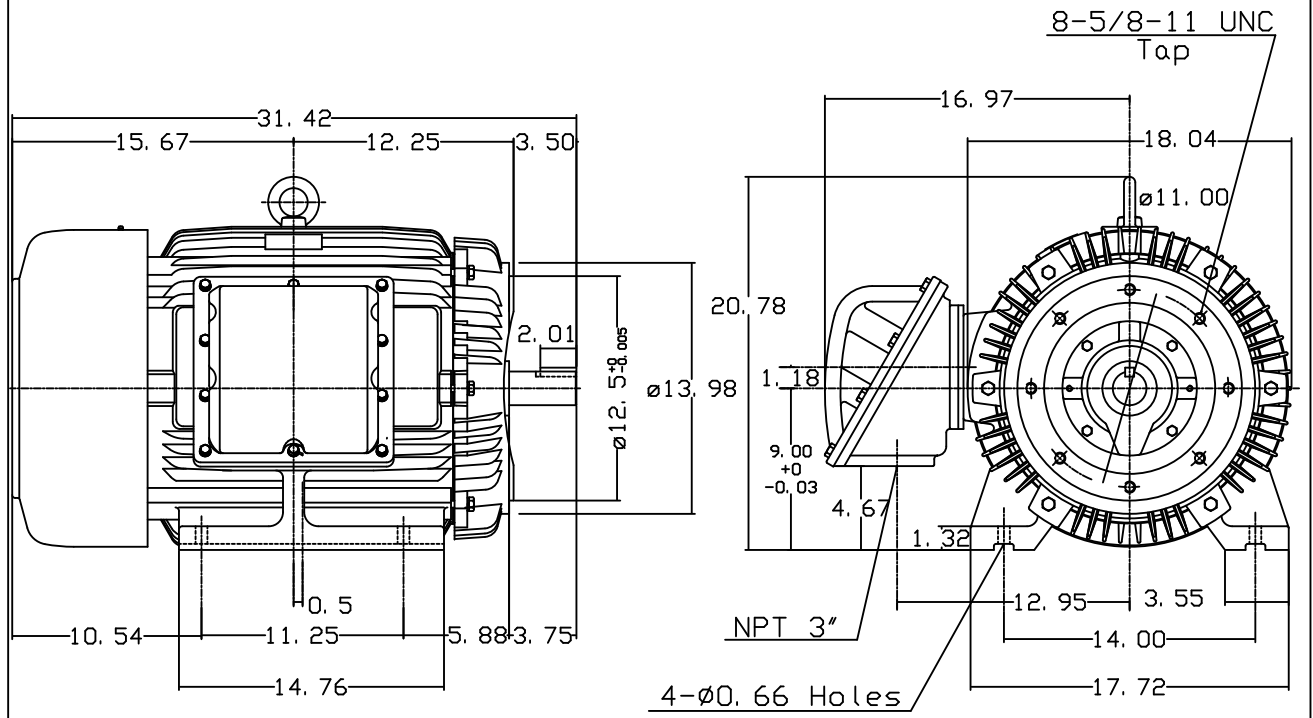


DATE APRIL 5, 2012	OUTLINE DIMENSIONS 3-PHASE INDUCTION MOTOR	MOTOR TYPE: AEHHXF
CAT. #: XP0602C		FRAME NO. 364TSC

Pole	HP	KW	Hz	VOLT	Syn. Speed r/min(rpm)
2	60	45	60	230/460	3600

Ins	Rating	Dimension in	Approx Weight	Bearings	
F	CONT.	inches	920 LBS	DE: 6312C3	NDE: 6212C3

Totally Enclosed Fan-Cooled Type. Squirrel-cage Rotor.



Note:
 1. Explosion proof:
 Class I Group D and
 Class II Group E, F, G.

DWN. J. H. LIANG 11-30-00	TECO Westinghouse	DWG NO. 31049M631240
CHKD. C. H. KAO 03-16-01		
APPD. Y. B. HUANG 03-16-01		