

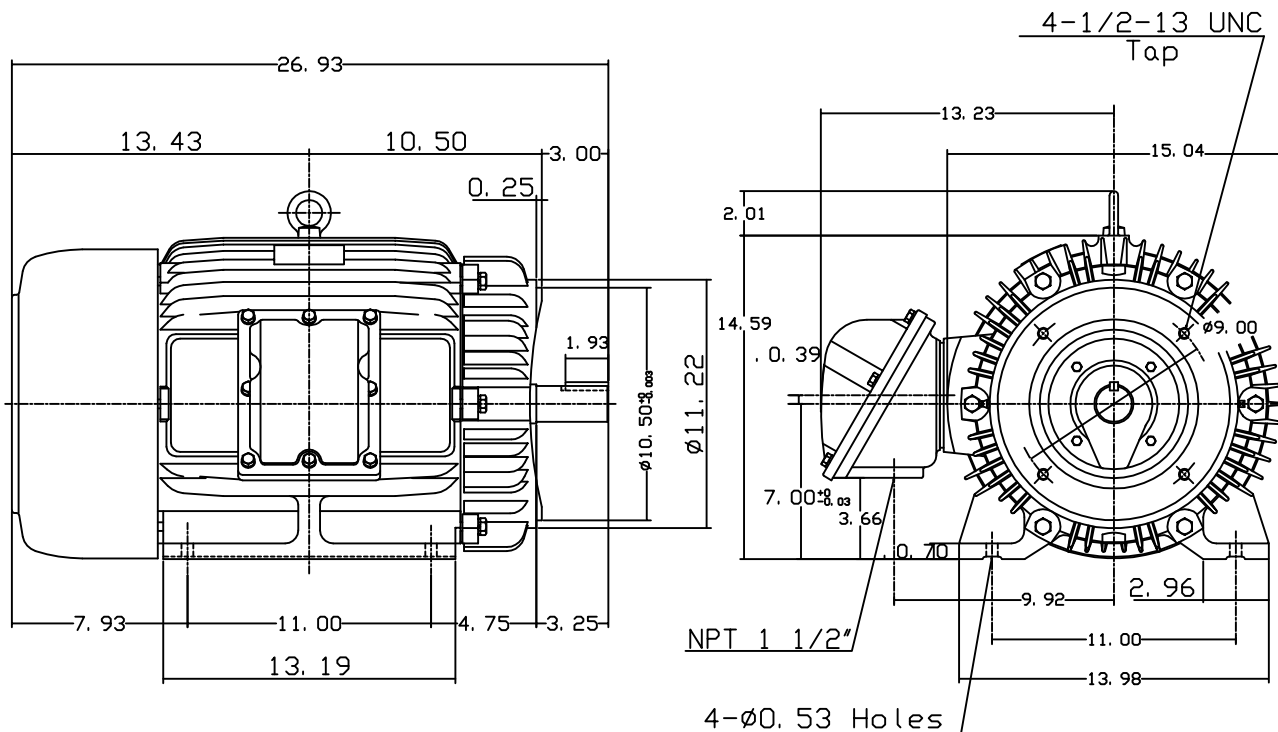
DATE
AUG. 26, 2011
CAT. #: XP0302C

OUTLINE DIMENSIONS
3-PHASE INDUCTION MOTOR

MOTOR TYPE:
AEHHXF
FRAME NO. 286TSC

Pole	HP	KW	Hz	VOLT	Syn. Speed r/min(rpm)
2	30	22.4	60	230/460	3600
Ins	Rating	Dimension in	Approx Weight	Bearings	
F	CONT.	inches	510 LBS	DE: 6211C3 NDE: 6211C3	

Totally Enclosed Fan Cooled Type. Squirrel-cage Rotor.



Note:
1. Explosion proof:
Class I Group D and
Class II Group E, F, G.



DWN.	J. H. LIANG	11-30-00
CHKD.	C. H. KAO	03-07-01
APPD.	Y. B. HUANG	03-07-01

TECO Westinghouse

DWG NO.
31049M628160