

DATE
JUNE 1, 2013
CATALOG NO.
XP0258

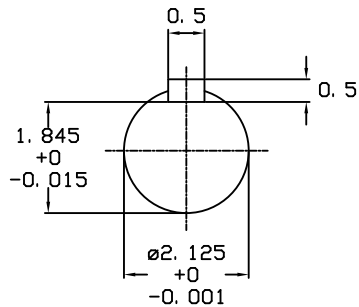
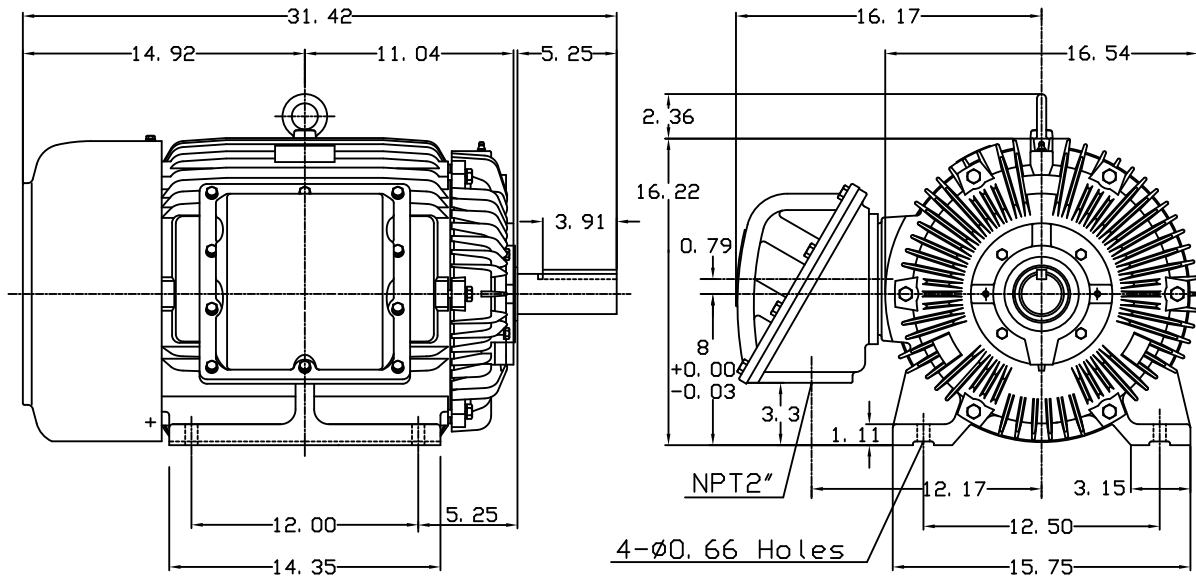
OUTLINE DIMENSIONS
3-PHASE INDUCTION MOTOR

MOTOR TYPE:
AEHHXU
FRAME NO. 326T

| Pole | HP | KW | Hz | VOLT | Syn. Speed RPM |
|------|----|-------|----|---------|-------------------|
| 8 | 25 | 18.65 | 60 | 230/460 | 900 |

| Ins | Rating | Dimension in | Approx Weight | Bearings |
|-----|--------|--------------|---------------|--------------------|
| F | CONT. | inches | 781 lbs. | DE: 6312 NDE: 6212 |

Totally Enclosed Fan-Cooled Type. Squirrel-Cage Rotor.



NOTE:
1. EXPLOSION-PROOF:
CLASS I GROUP D AND
CLASS II GROUP E,F,G.

① 03. 16. 00

J. C. LIN

| | | |
|--------|-------------|----------|
| DWN. | J. H. LIANG | 11-30-98 |
| CHKD. | C. H. KAO | 12-26-98 |
| APP'D. | Y. B. HUANG | 12-26-98 |



DWG NO.
31049J739003