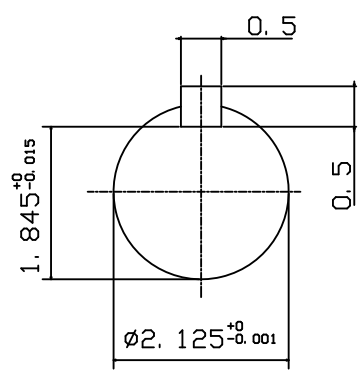
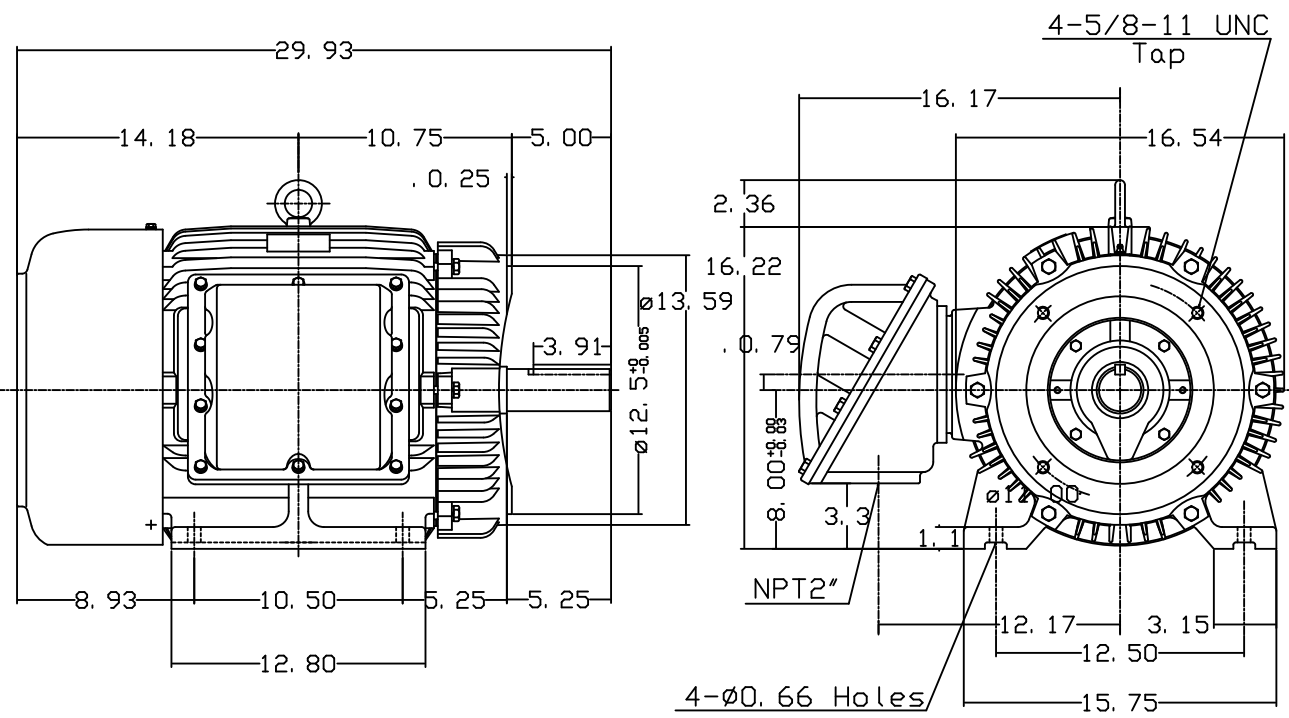


DATE JAN 18, 2012	OUTLINE DIMENSIONS 3-PHASE INDUCTION MOTOR	MOTOR TYPE: AEHHXF
CAT. #: XP0256C		FRAME NO. 324TC

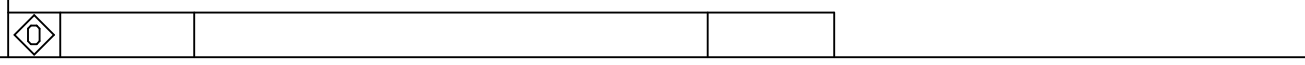
Pole	HP	KW	Hz	VOLT	Syn. Speed r/min(rpm)
6	25	18.7	60	230/460	1200

Ins	Rating	Dimension in	Approx Weight	Bearings	
F	CONT.	inches	715 LBS	DE: 6312	NDE: 6212

Totally Enclosed Fan Cooled Type. Squirrel-cage Rotor.



Note:  
1. Explosion proof:  
Class I Group D and  
Class II Group E, F, G.



DWN. J. H. LIANG 11-30-00	<b>TECO</b> <b>Westinghouse</b>	DWG NO.
CHKD. C. H. KAO 03-07-01		31049M629090
APPD. Y. B. HUANG 03-07-01		