

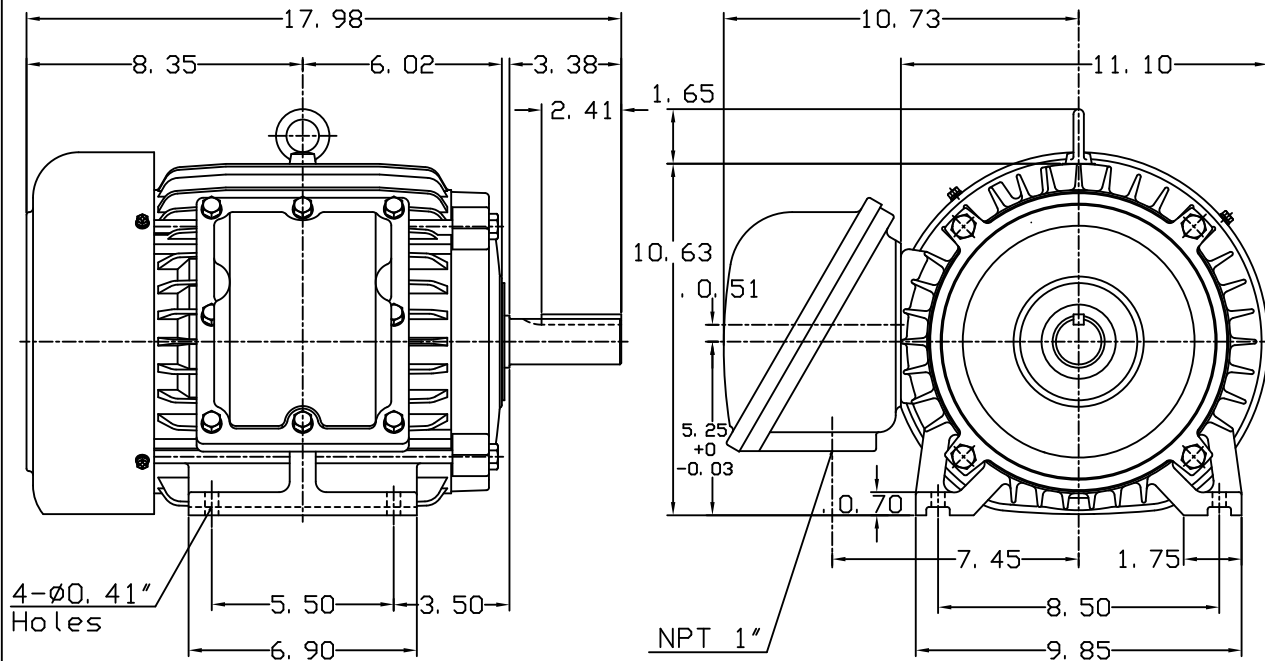
DATE  
MAY 18, 2011  
CATALOG NO.  
XP0036

OUTLINE DIMENSIONS  
3-PHASE INDUCTION MOTOR

MOTOR TYPE:  
AEHHXU  
FRAME NO. 213T

| Pole | HP     | KW           | Hz            | VOLT       | Syn. Speed<br>RPM |
|------|--------|--------------|---------------|------------|-------------------|
| 6    | 3      | 2.24         | 60            | 230/460    | 1200              |
| Ins  | Rating | Dimension in | Approx Weight | Bearings   |                   |
| F    | CONT.  | inches       | 187 lbs.      | DE: 6308ZZ | NDE: 6306ZZ       |

Totally Enclosed Fan-Cooled Type, Squirrel-Cage Rotor.



NOTE:  
1. EXPLOSION PROOF:  
CLASS I GROUP C, D AND  
CLASS II GROUP E, F, G.

|       |             |          |
|-------|-------------|----------|
| DWN.  | J. H. LIANG | 11-12-98 |
| CHKD. | C. S. LO    | 11-23-98 |
| APPD. | Y. B. HUANG | 11-23-98 |

TECO Westinghouse

DWG NO.  
31049H822012