

DATE  
MAY 18, 2012  
CATALOG NO.  
XP0028

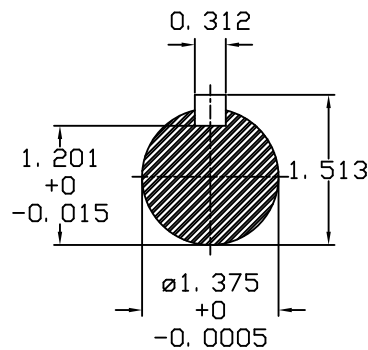
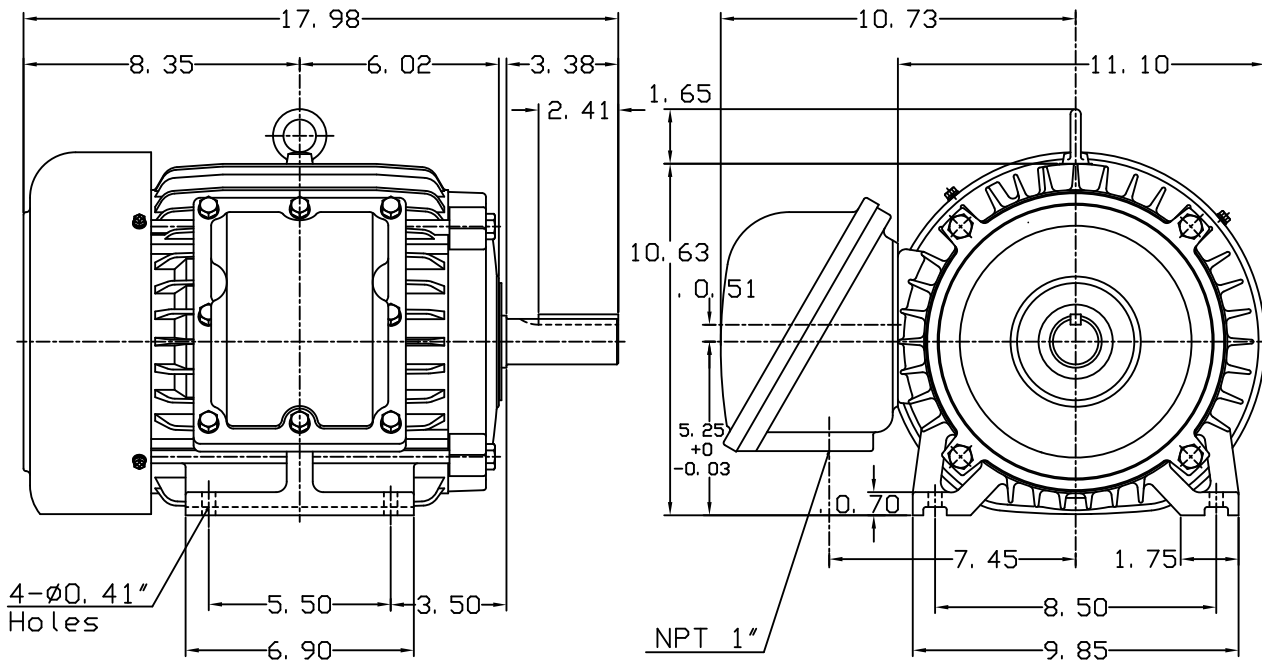
OUTLINE DIMENSIONS  
3-PHASE INDUCTION MOTOR

MOTOR TYPE:  
AEHHXU  
FRAME NO. 213T

| Pole | HP | KW  | Hz | VOLT    | Syn. Speed<br>RPM |
|------|----|-----|----|---------|-------------------|
| 8    | 2  | 1.5 | 60 | 230/460 | 900               |

| Ins | Rating | Dimension in | Approx Weight | Bearings               |
|-----|--------|--------------|---------------|------------------------|
| F   | CONT.  | inches       | 187 lbs.      | DE: 6308ZZ NDE: 6306ZZ |

Totally Enclosed Fan-Cooled Type, Squirrel-Cage Rotor.



NOTE:  
1. EXPLOSION PROOF:  
CLASS I GROUP C, D AND  
CLASS II GROUP E, F, G.



|       |             |          |
|-------|-------------|----------|
| DWN.  | J. H. LIANG | 11-12-98 |
| CHKD. | C. S. LO    | 11-23-98 |
| APPD. | Y. B. HUANG | 11-23-98 |

TECO Westinghouse

DWG NO.  
31049H822012