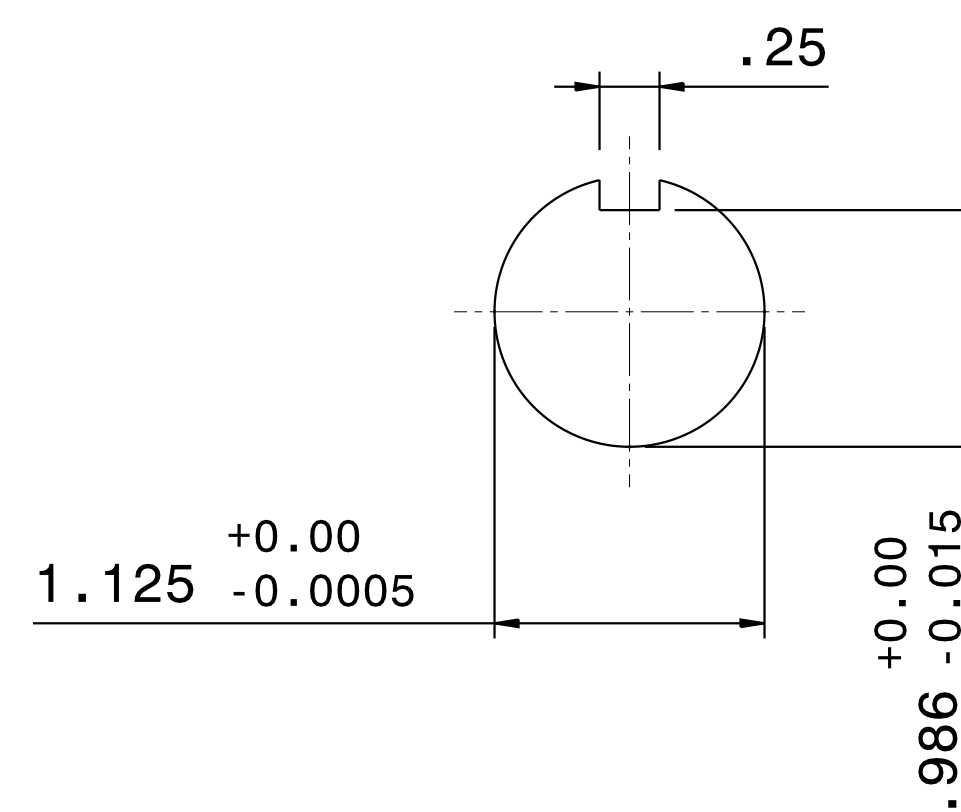
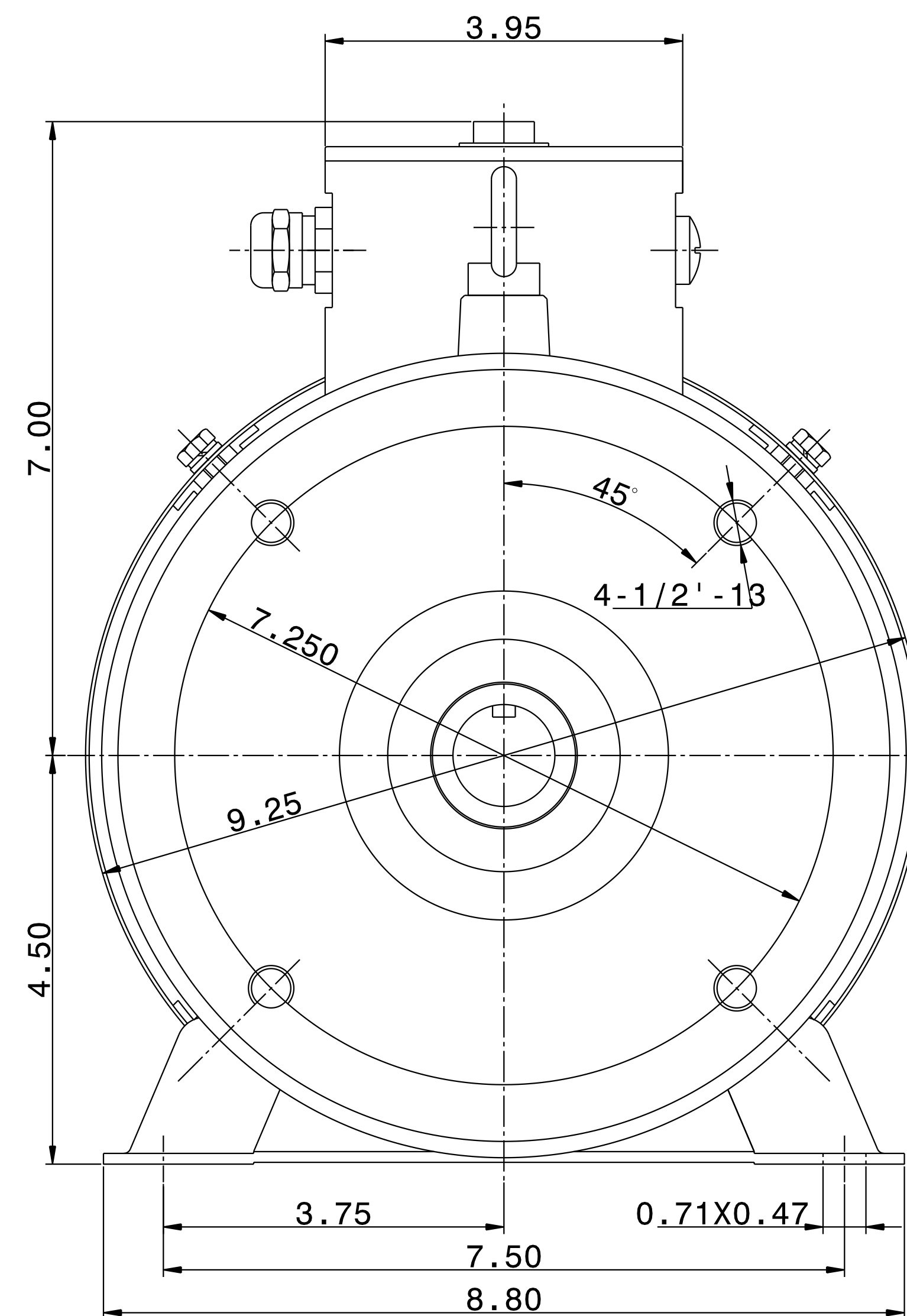
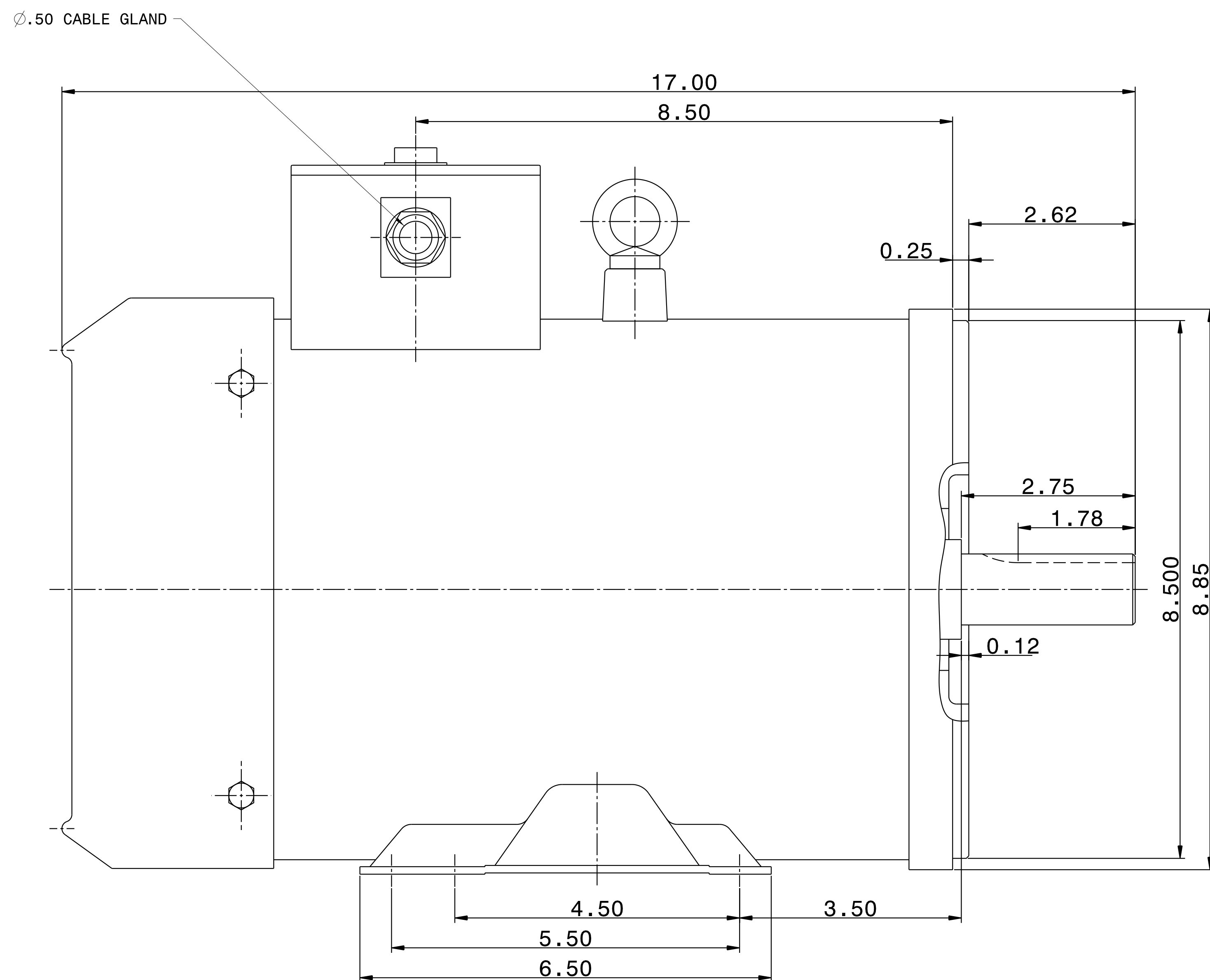


CATALOG #	TYPE	FRAME	OUTPUT		POLE	SYN. SPEED R.P.M.	VOLTAGE V.	Hz.	TIME RATING	INSULATION CLASS	SERVICE FACTOR	WEIGHT LBS
			HP	KW								
WP0052C	AEGP	184TC	5	3.73	2	3600	230/460	60	CONT.	F	1.15	90 LBS.

TOTALLY ENCLOSED FAN-COOLED TYPE. SQUIRREL CAGE MOTOR



- NOTES: 1. DIMENSIONS IN INCH.
2. ENCLOSURE: IP56.
3. FOR DIRECT FLEXIBLE COUPLING.
4. STAINLESS STEEL CONSTRUCTION.

REV. DATA	REV. NO
REF: 31049J806230	01
TECO Westinghouse	
3-PHASE INDUCTION MOTOR OUTLINE DIMENSIONS	
DWG NO. WP0052C	
DWN T. FELPS	020713
APPD S. GROHOSKY	020713
TECO-WESTINGHOUSE MOTOR COMPANY	
ROUND ROCK, TEXAS USA	