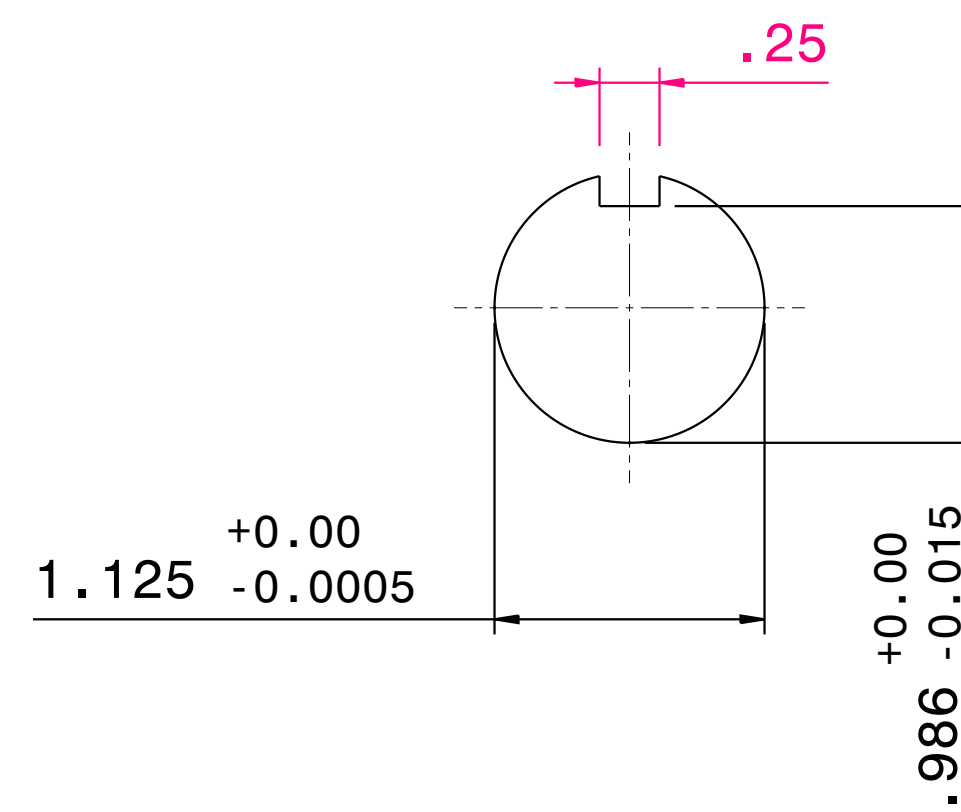
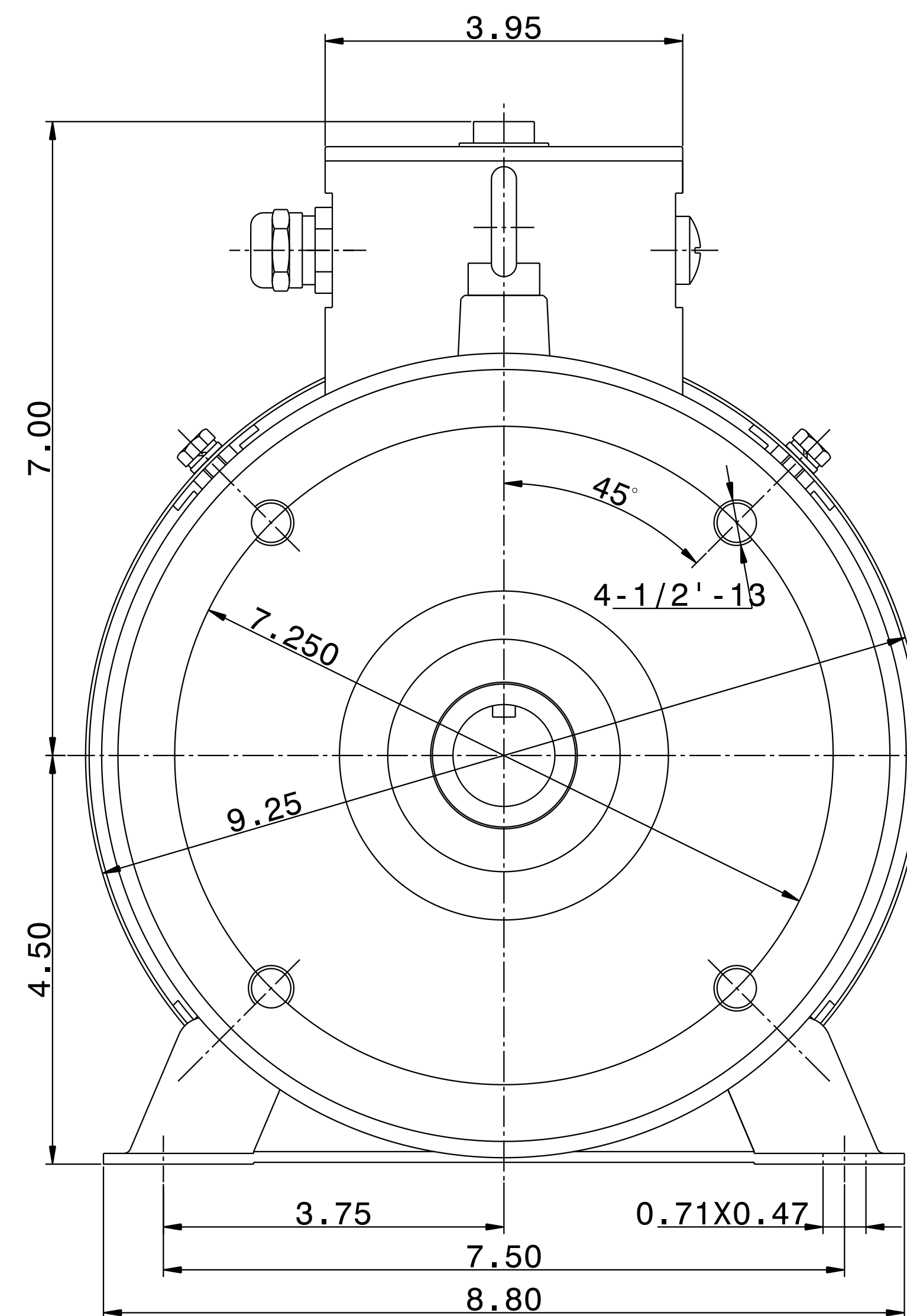
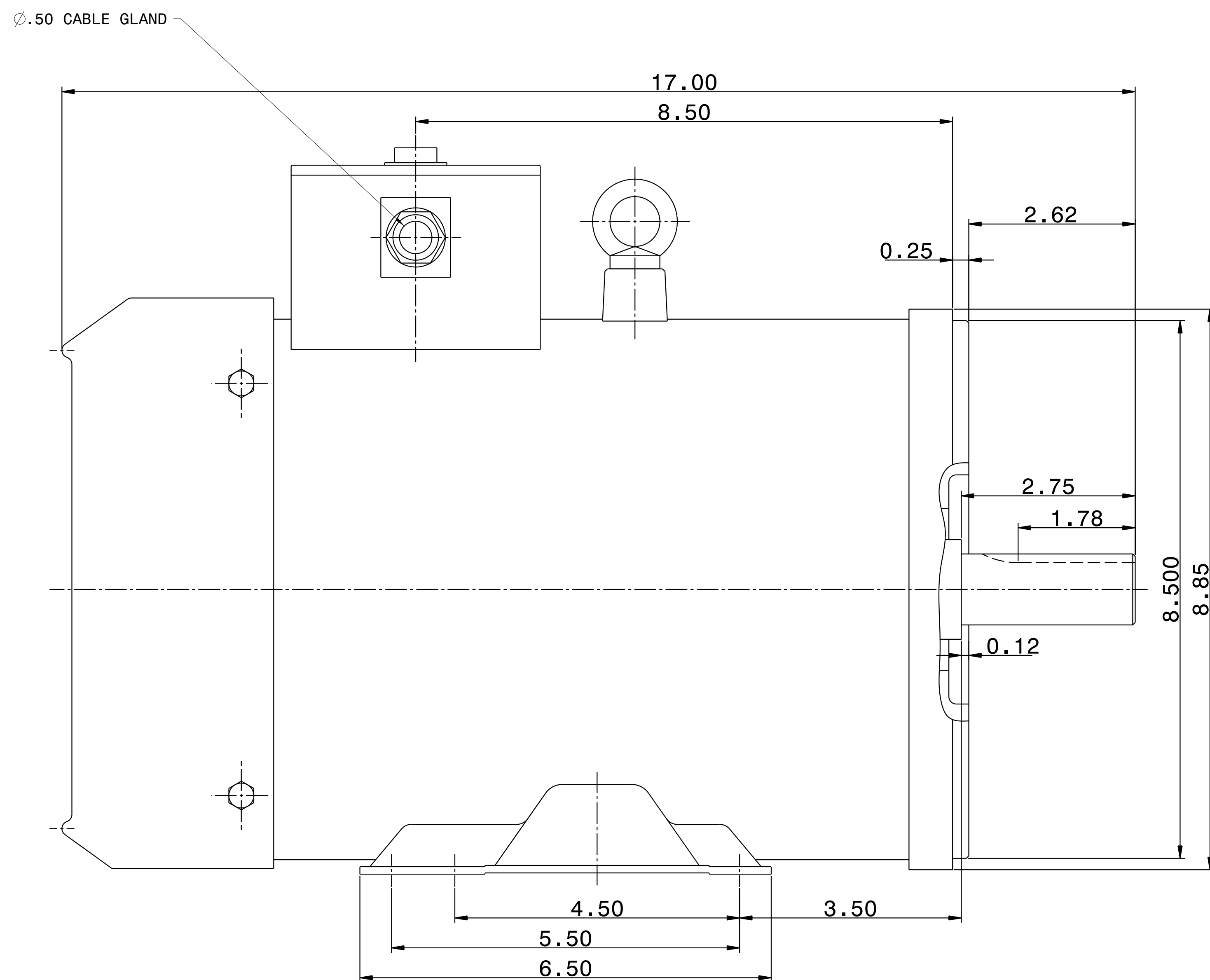


CATALOG #	TYPE	FRAME	OUTPUT		POLE	SYN. SPEED R.P.M.	VOLTAGE V.	Hz.	TIME RATING	INSULATION CLASS	SERVICE FACTOR	WEIGHT LBS
			HP	KW								
WP0034C	AEGP	182TC	3	2.24	4	1800	230/460	60	CONT.	F	1.15	81 LBS.

TOTALLY ENCLOSED FAN-COOLED TYPE. SQUIRREL CAGE MOTOR



- NOTES: 1. DIMENSIONS IN INCH.
 2. ENCLOSURE: IP56.
 3. FOR DIRECT FLEXIBLE COUPLING.
 4. STAINLESS STEEL CONSTRUCTION.

REV. DATA	TECO Westinghouse		REV NO
REF: 31049J806230	3-PHASE INDUCTION MOTOR OUTLINE DIMENSIONS		01
	DWN T. FELPS	020713	APPD S. GROHOSKY
	TECO-WESTINGHOUSE MOTOR COMPANY		020713
	ROUND ROCK, TEXAS USA		