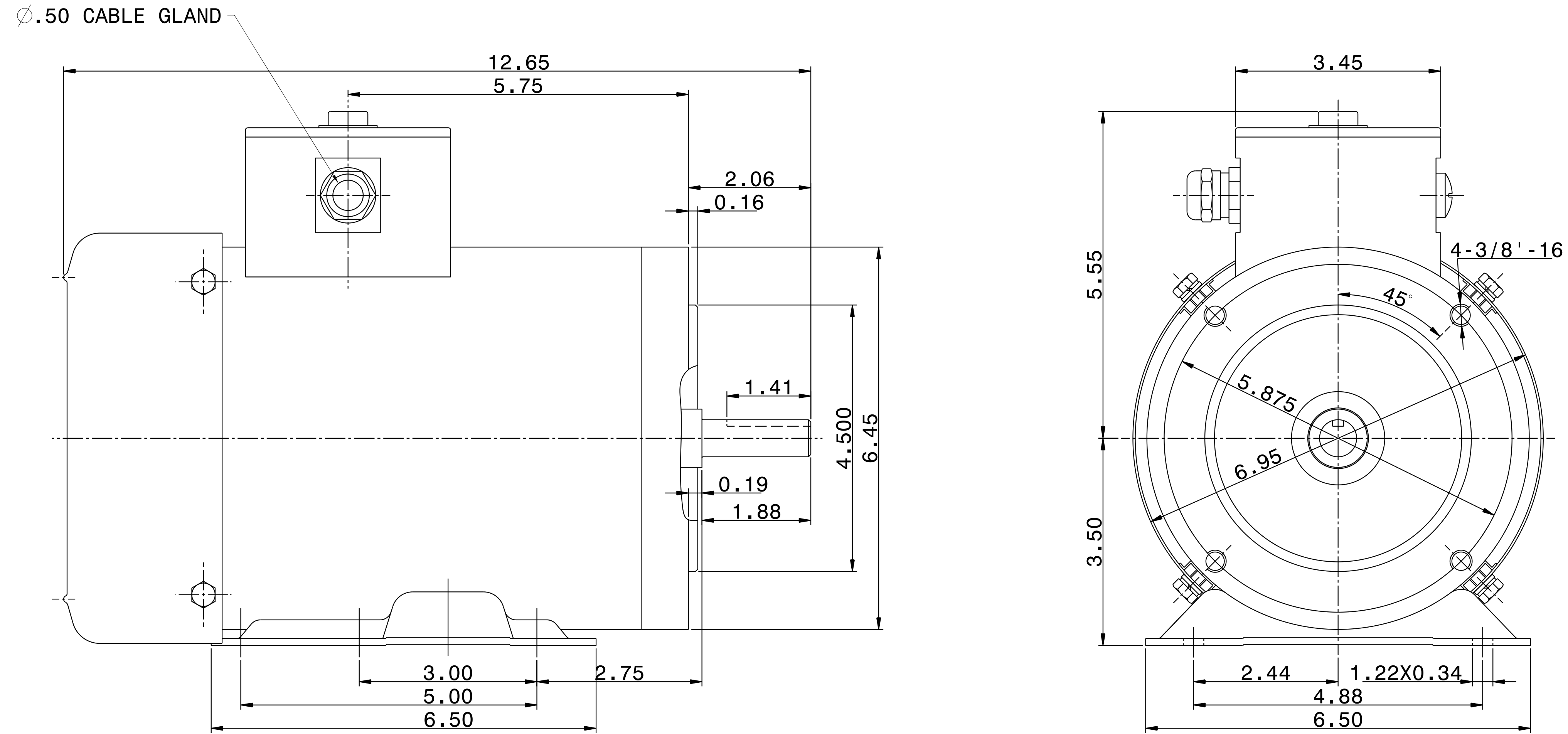


| CATALOG # | TYPE | FRAME | OUTPUT |      | POLE | SYN. SPEED R.P.M. | VOLTAGE V. | Hz. | TIME RATING | INSULATION CLASS | SERVICE FACTOR | WEIGHT LBS |
|-----------|------|-------|--------|------|------|-------------------|------------|-----|-------------|------------------|----------------|------------|
|           |      |       | HP     | KW   |      |                   |            |     |             |                  |                |            |
| WFP1/52C  | AEGP | B56C  | 1.5    | 1.12 | 2    | 3600              | 230/460    | 60  | CONT.       | F                | 1.15           | 39 LBS.    |

TOTALLY ENCLOSED FAN-COOLED TYPE. SQUIRREL CAGE MOTOR



- NOTES: 1. DIMENSIONS IN INCH.  
 2. ENCLOSURE: IP56.  
 3. FOR DIRECT FLEXIBLE COUPLING.  
 4. STAINLESS STEEL CONSTRUCTION.

|                                 |   |  |                       |                     |    |
|---------------------------------|---|--|-----------------------|---------------------|----|
| REF: 31049J806230               | REV. DATA                                     |  |                       | REV NO              | 01 |
|                                 | TECO Westinghouse                             |  |                       |                     |    |
|                                 | 3-PHASE INDUCTION MOTOR<br>OUTLINE DIMENSIONS |  |                       | DWG NO.<br>WFP1/52C |    |
|                                 | DWN T. FELPS                                  |  | 020713                | APPD S. GROHOSKY    |    |
| TECO-WESTINGHOUSE MOTOR COMPANY |   |  | ROUND ROCK, TEXAS USA |                     |    |