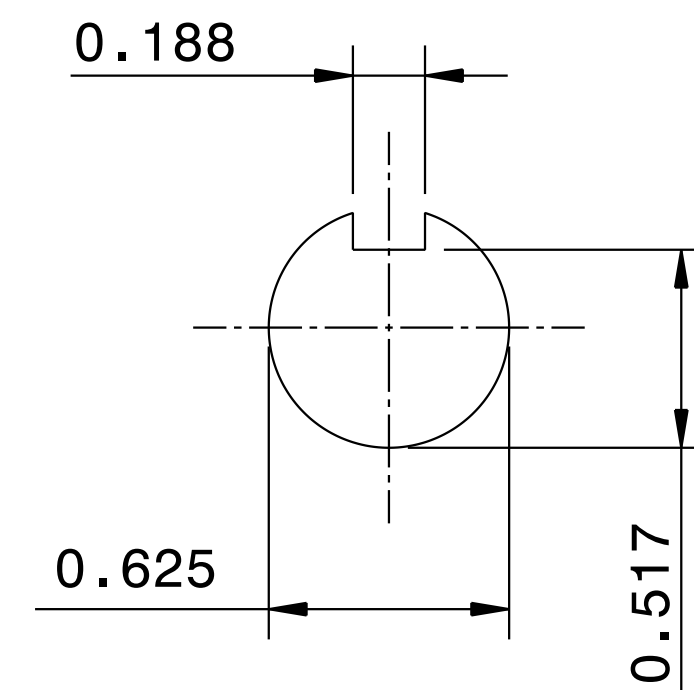
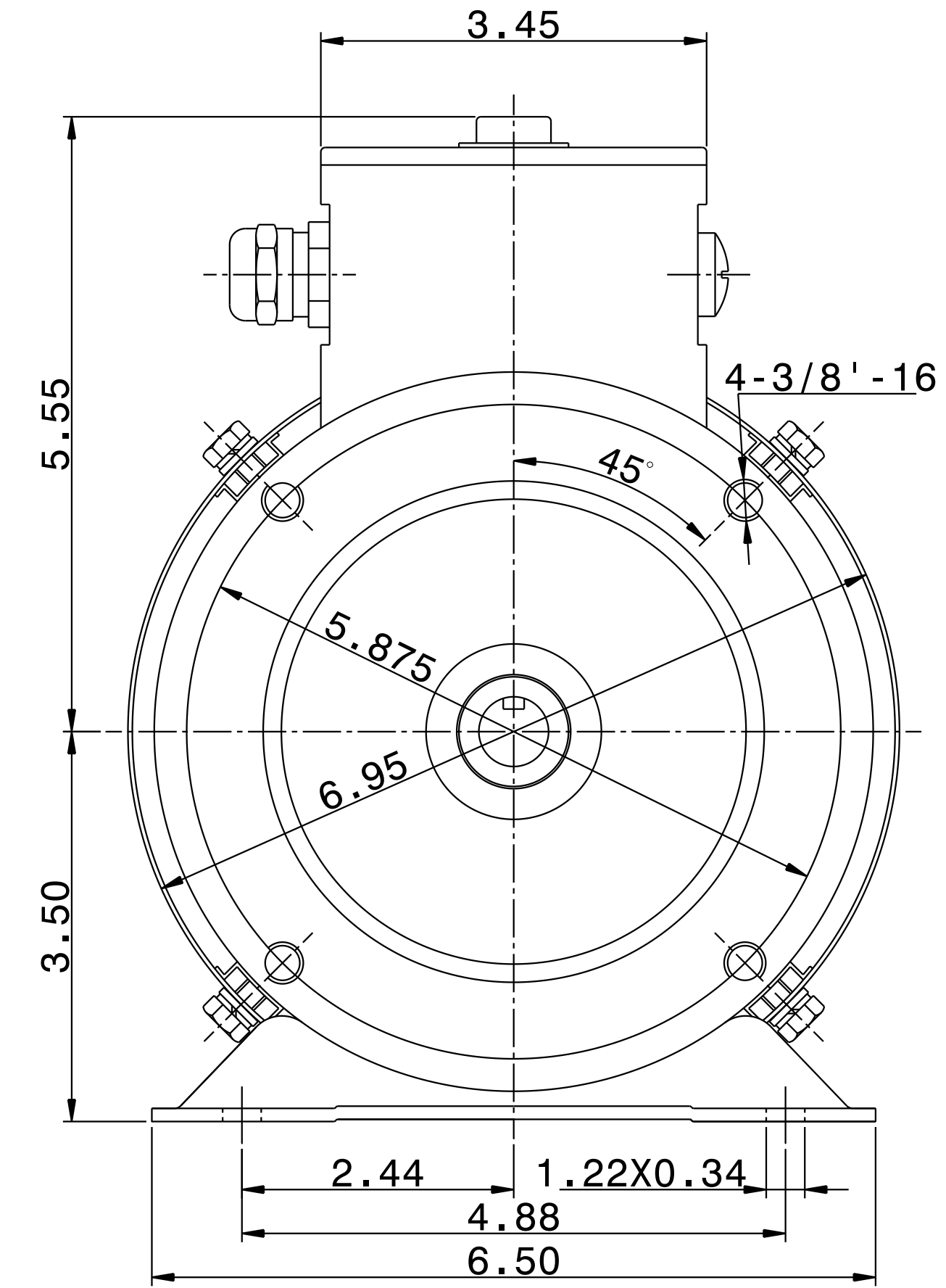
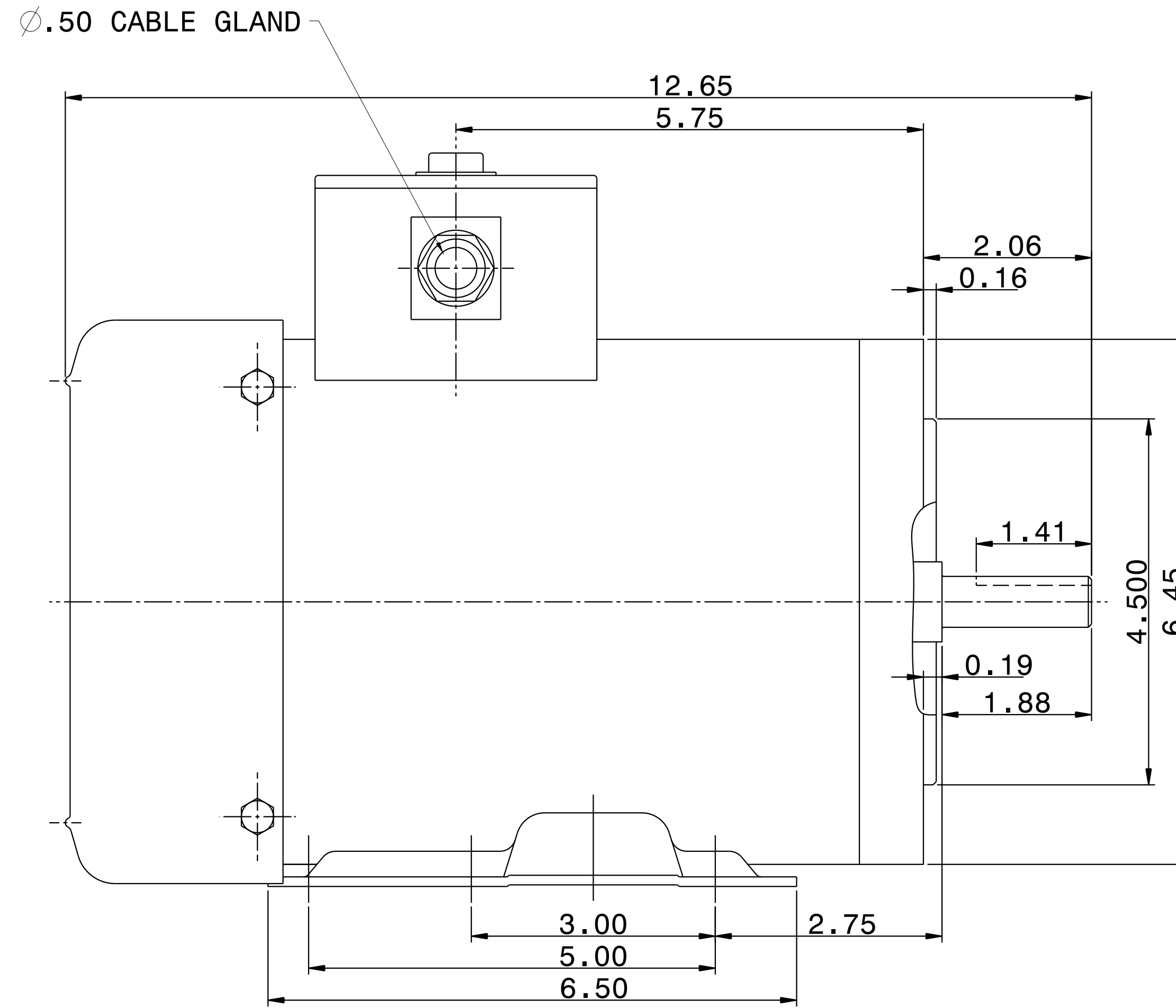


CATALOG #	TYPE	FRAME	OUTPUT		POLE	SYN. SPEED R.P.M.	VOLTAGE V.	Hz.	TIME RATING	INSULATION CLASS	SERVICE FACTOR	WEIGHT LBS
			HP	kW								
WFP0022C	AEGP	C56C	2	1.49	2	3600	230/460	60	CONT.	F	1.15	46 LBS.

TOTALLY ENCLOSED FAN-COOLED TYPE. SQUIRREL CAGE MOTOR



- NOTES: 1. DIMENSIONS IN INCH.
 2. ENCLOSURE: IP56.
 3. FOR DIRECT FLEXIBLE COUPLING.
 4. STAINLESS STEEL CONSTRUCTION.

REF: 31049J806230	REV. DATA			REV NO	01
	TECO Westinghouse				
	3-PHASE INDUCTION MOTOR			DWG NO.	
	OUTLINE DIMENSIONS			WFP0022C	
DWN T. FELPS		020713	APPD S. GROHOSKY	020713	
TECO-WESTINGHOUSE MOTOR COMPANY			ROUND ROCK, TEXAS USA		