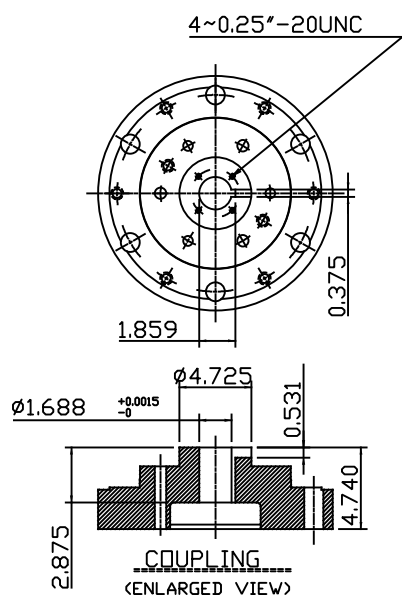
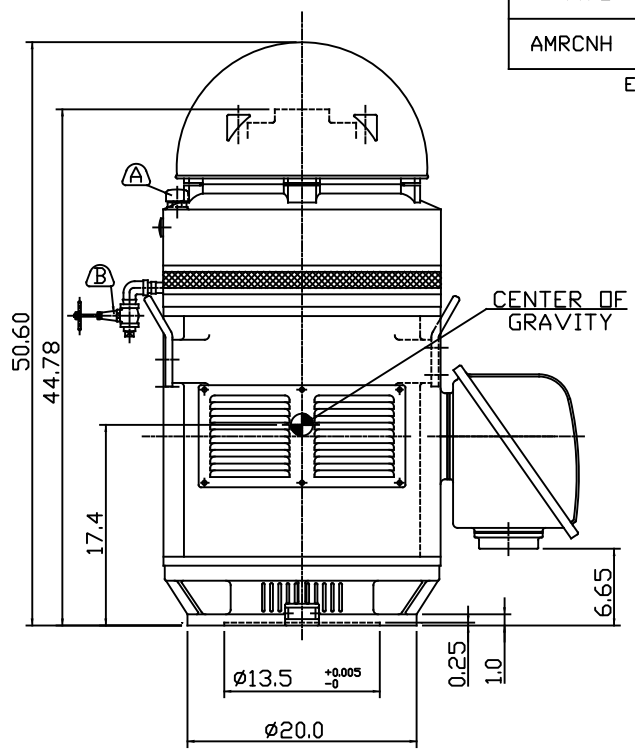


Downloaded from Dealers Industrial Equipment -- Visit <https://DealersElectric.com> or call (908) 688-1966 for all of your Teco needs!

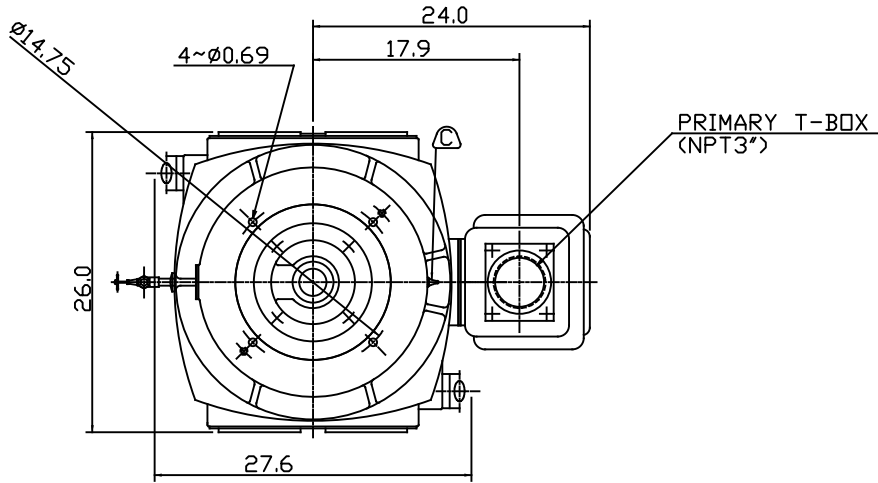
TYPE	OUTPUT		POLE	TIME RATING	VOLTAGE V	Hz	SYN.SPEED R.P.M
	HP.	kW.					
AMRCNH	250	187	4	CONT	460	60	1800

ENCLOSED VENTILATED VERTICAL HOLLOW SHAFT TYPE, SQUIRREL CAGE ROTOR
NEMA WEATHER PROTECTED TYPE I



- NOTE:
- DIMENSIONS IN INCHES.
 - FRAME NO.445TP20.
 - F CLASS INSULATION.
 - FOR DIRECT FLEXIBLE COUPLING.
 - BEARING SIZE:
UPPER BEARING: 7326B [UNINSULATED]
LOWER BEARING: 6318C3 [UNINSULATED]
 - LUBRICATION:
UPPER BEARING USE OIL.
OIL VISCOSITY: ISO VG68[300 SSU/100°F]
OIL QUANTITY: 6.6GAL.
LOWER BEARING USE ESSD POLYREX EM GREASE.
 - THRUST CAPACITY:
MAX. ALLOWABLE CONT. DOWNTHRUST: 13400 LBS.
BEARING LIFE: B10/8800 HRS.
 - ROTATION: COUNTER-CLOCKWISE(VIEWED FROM TOP).
 - WITH NON-REVERSE RATCHET MECHANISM.
 - WITH GIB KEY:0.375x0.375x2.875,1PCS
 - NATURAL REED FREQUENCY: 47HZ.
ABOVE CALCULATION IS CONSIDERING MOTOR AND FOR REFERENCE ONLY.
 - THE WHOLE PUMPING SYSTEM ANALYSIS SHALL BE PERFORMED BY THE PUMP MANUFACTURER.
 - MOTOR APPROX. WEIGHT: 1940LBS.

- (A) OIL FILLER [UPPER BEARING]
- (B) OIL DRAIN [UPPER BEARING]
- (C) GREASE INLET NIPPLE [LOWER BEARING]



DATE MARCH 6, 2012	OUTLINE DIMENSIONS
CAT. #: VHP2504	3-PHASE INDUCTION MOTOR
DWG NO. REV:00	3B040T894

DWN.	S.WANG	FEB•25•2009
CHKD.	S.WANG	FEB•25•2009
APPD.	C.WANG	FEB•26•2009



6 5 4 3 2 1

6 5 4 3 2 1

D
C
B
A

D
C
B
A