

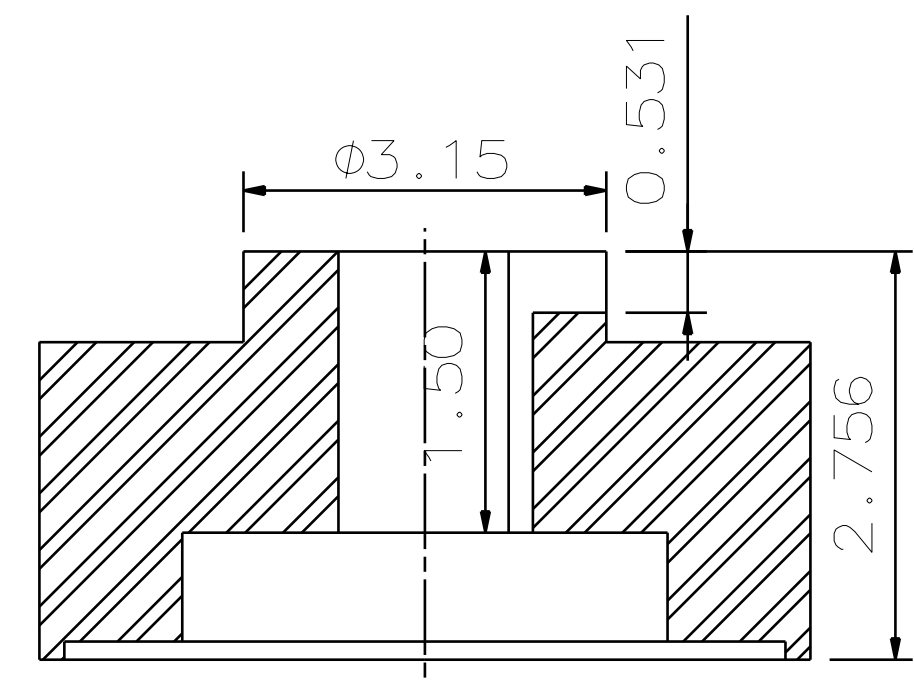
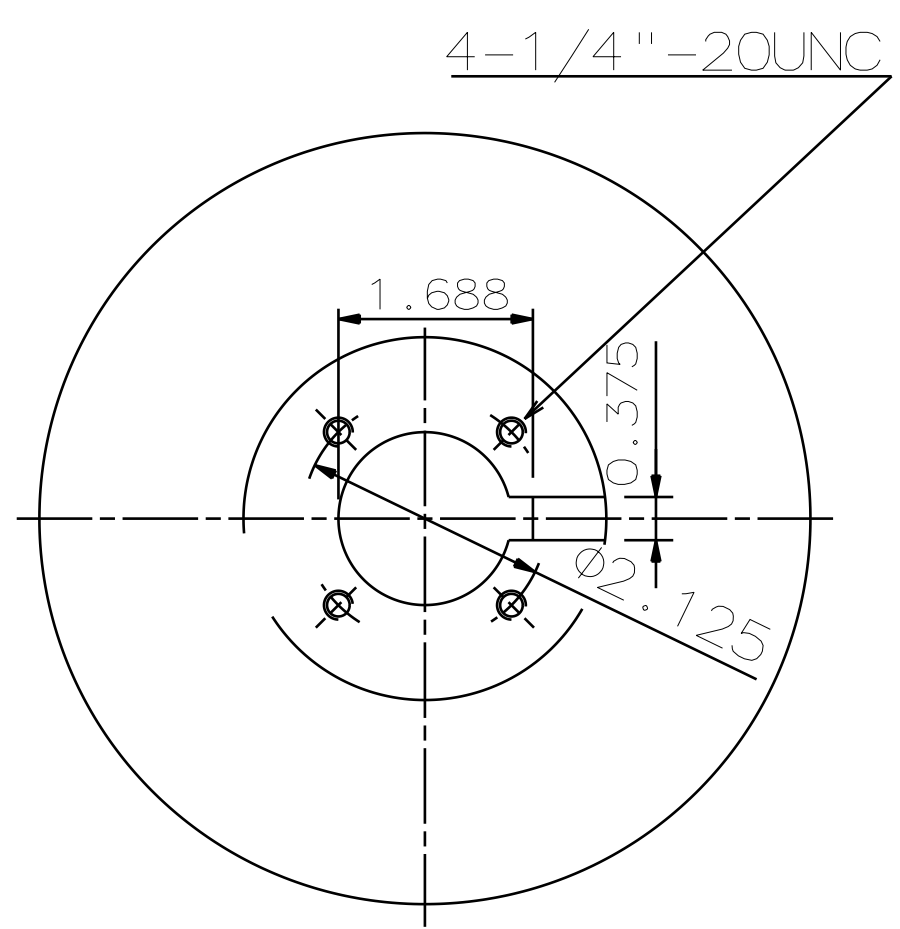
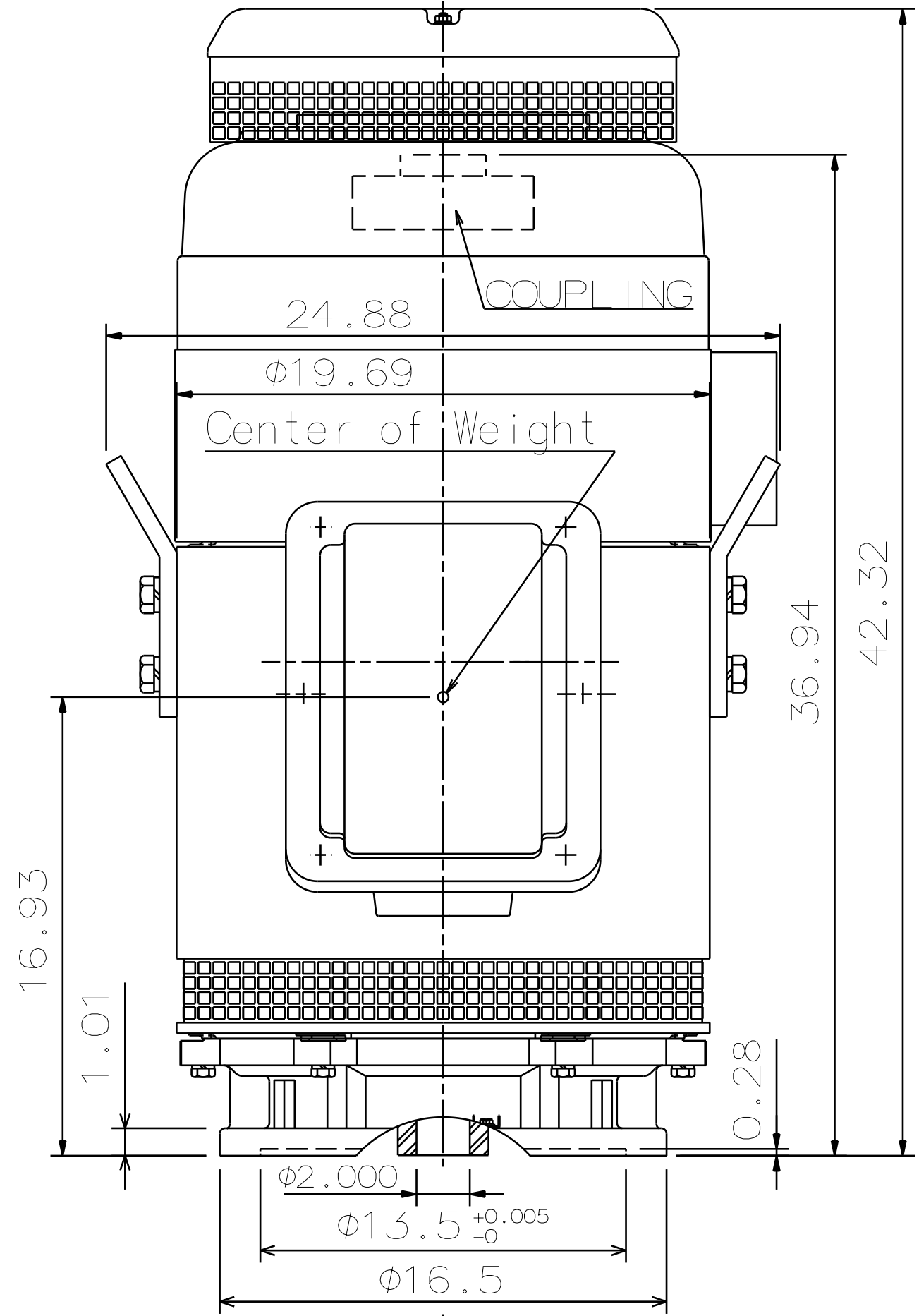


DATE DEC 08 2016	OUTLINE DIMENSIONS 3-PHASE INDUCTION MOTOR	MOTOR TYPE: AMRCNH-A11
CATALOG # VHP1254		FRAME NO. 405TP

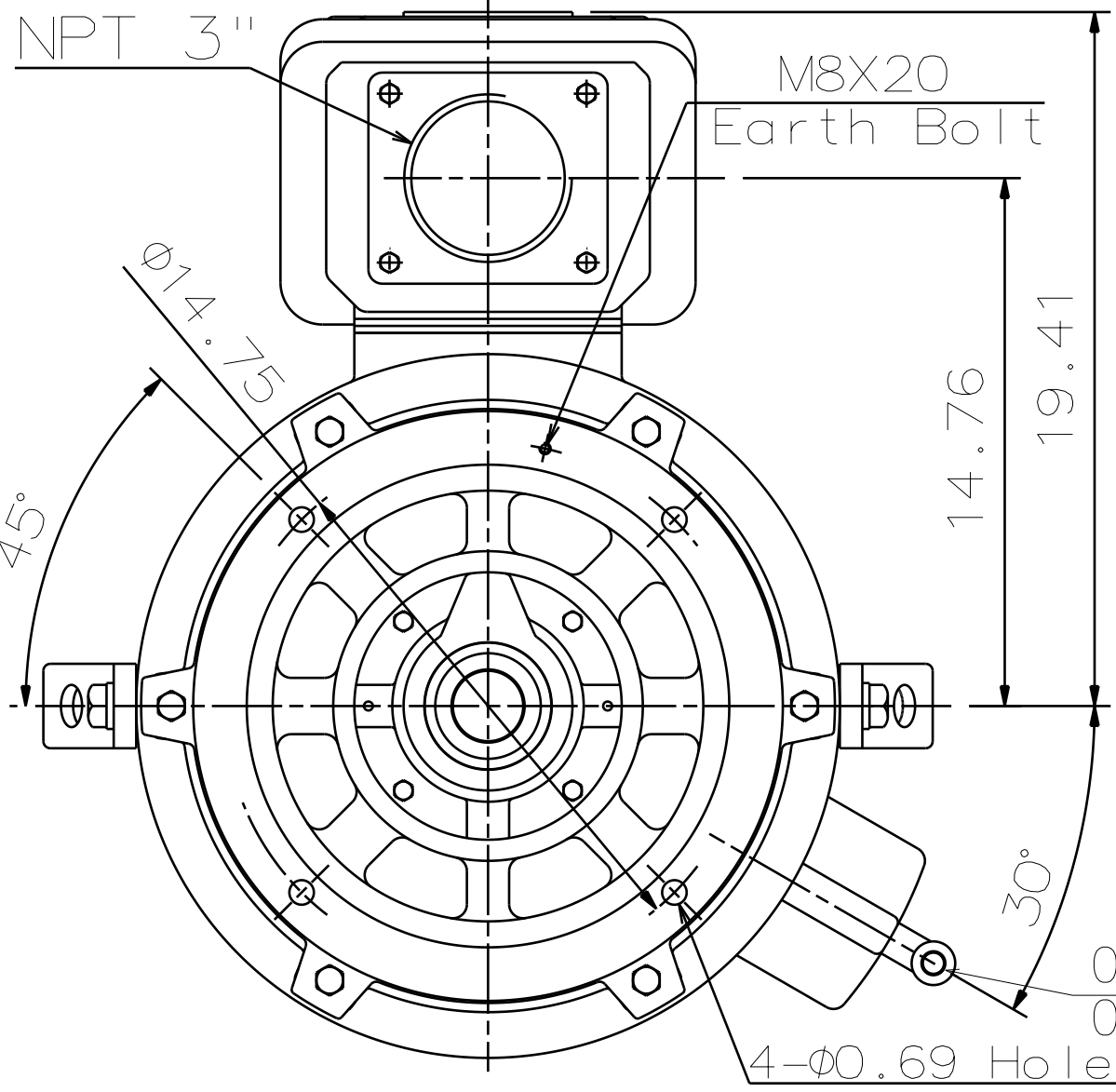
Pole	HP	kW	Hz	VOLT	r/min(rpm)
4	125	93.2	60	230/460	1800

Ins	Rating	Dimension in	Approx Weight	Bearings
F	CONT.	inch	1369 lbs	DE:6315C3 NDE: 7222B

NEMA Weather Protected TYPE 1 (WP 1). Squirrel-cage Rotor.



Coupling Dimension



- Note:
1. Downthrust: 8600 lbs. (L10-8800 hrs)
  2. Rotation: C.C.W. (View from Top)
  3. With Ball type N.R.R.
  4. Approx Reed Frequencies: 51.9 Hz.
  5. Upper Bearing (Oil lube)  
Kind of Oil: Turbine Oil -300SSU/100°F (ISO VG68)  
Quantity: 1.06 Gallons

□			
---	--	--	--

DWG .	K.L.KUO	04.20.11		DWG NO.	31057H811390
CHKD .	K.L.KUO	04.20.11			
APPD .	M.C.TSAI	04.20.11			

