

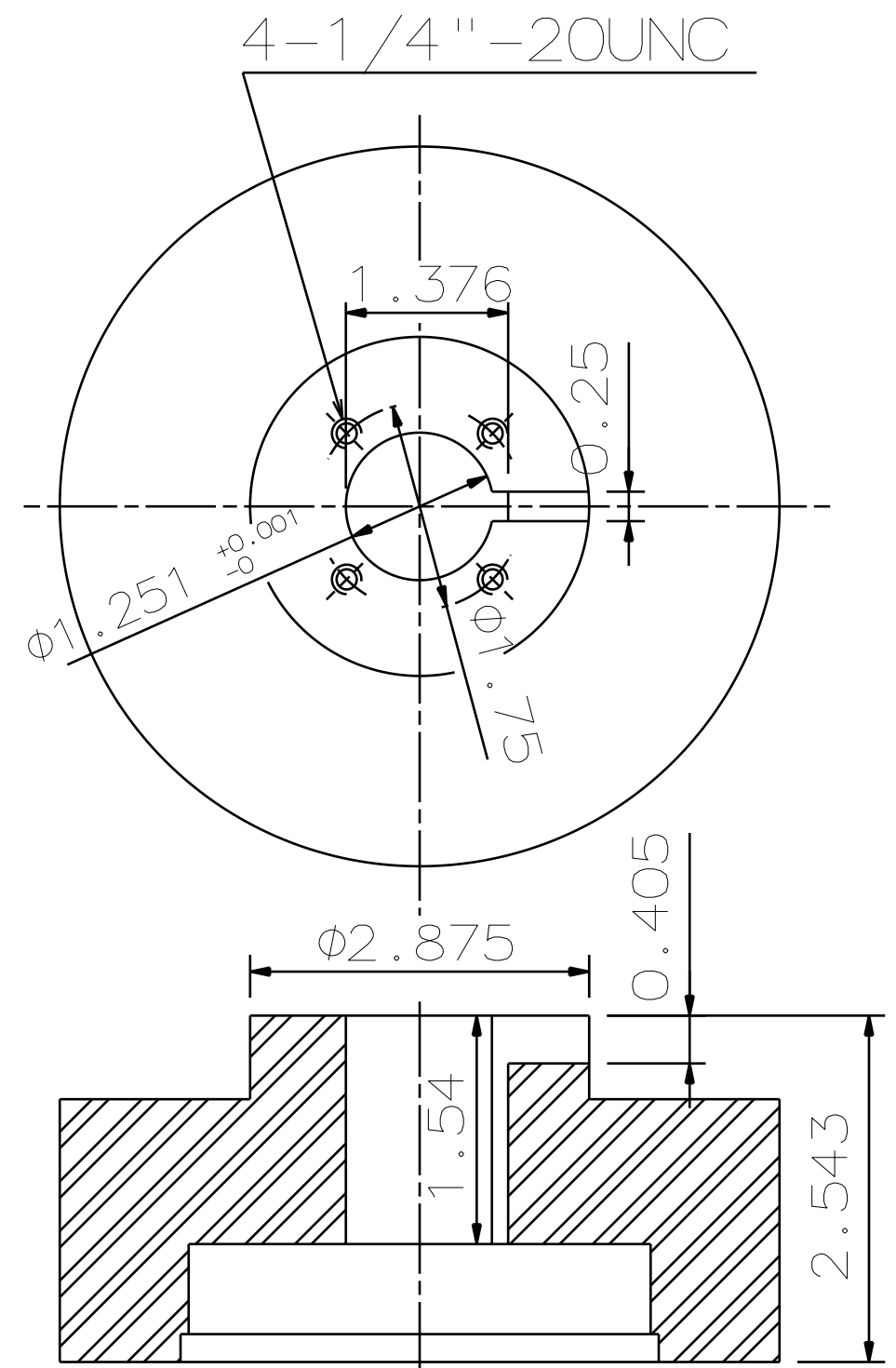
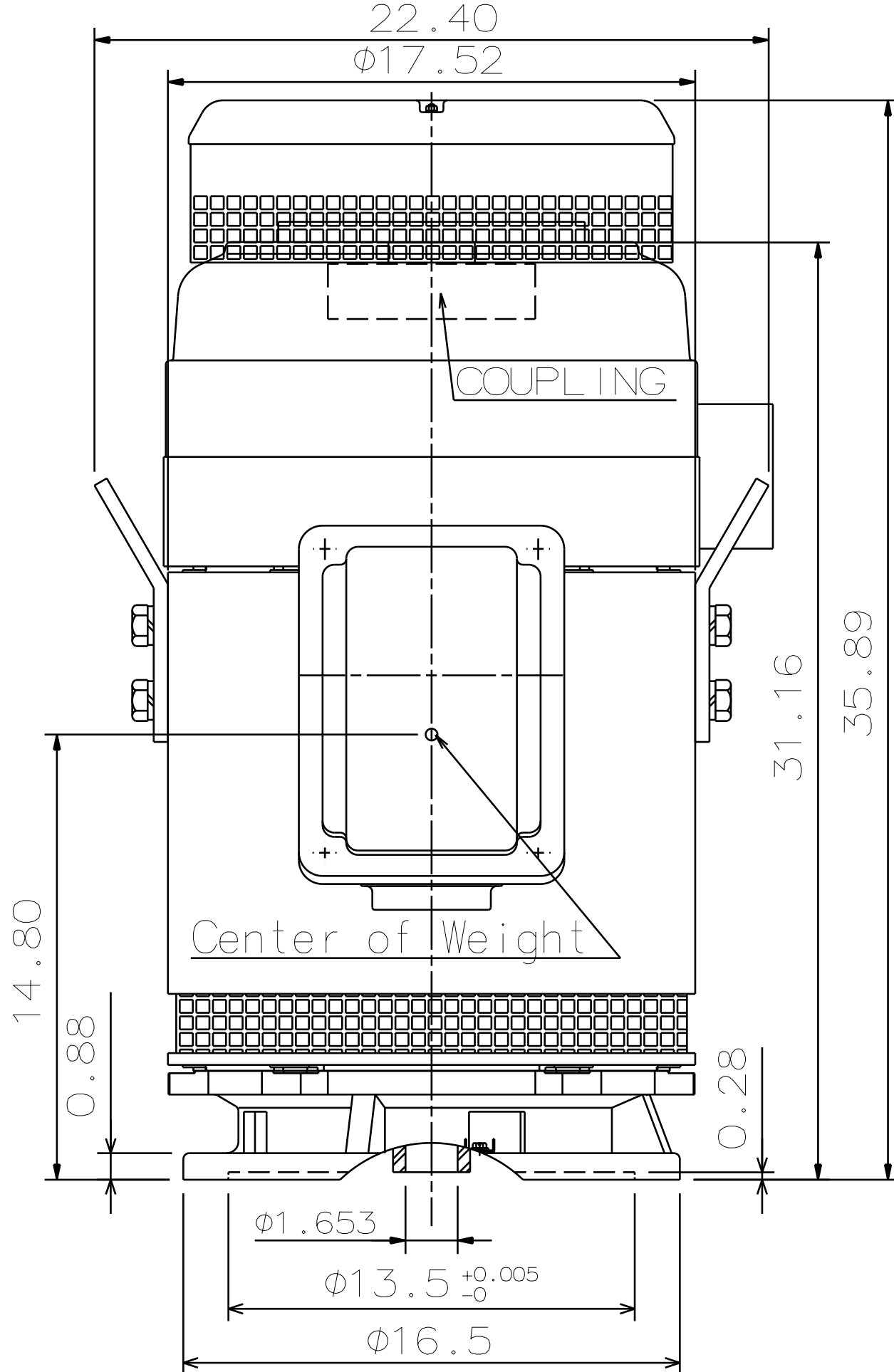
DATE
DEC 08 2016
CATALOG #
VHP0754

OUTLINE DIMENSIONS
3-PHASE INDUCTION MOTOR

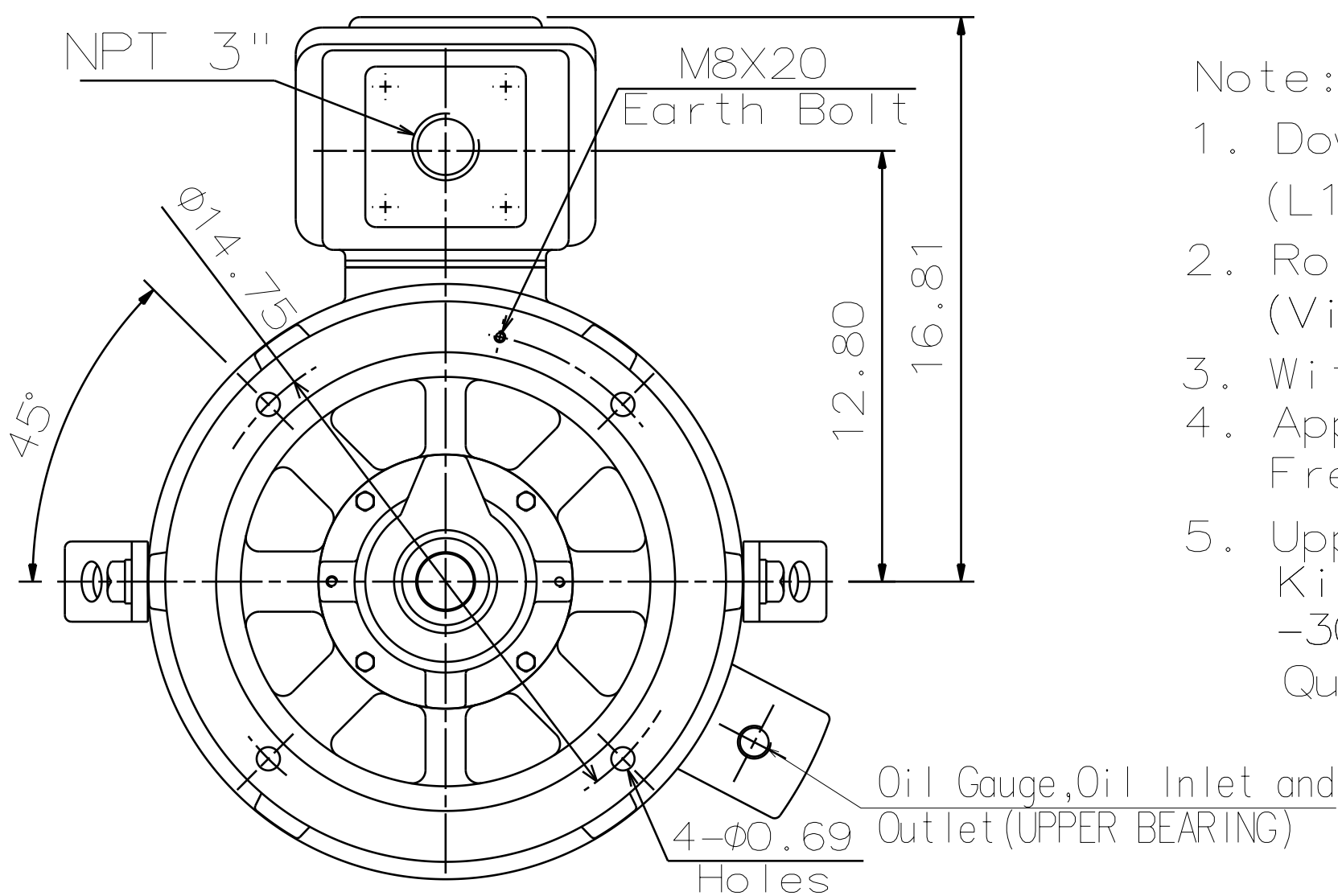
MOTOR TYPE:
AMRANH-A01
FRAME NO. 365TP

Pole	HP	kW	Hz	VOLT	r/min (rpm)
4	75	55.9	60	230/460	1800
Ins	Rating	Dimension in	Approx Weight	Bearings	
F	CONT.	inch	917 lbs	DE:6313C3	NDE: 7222B

NEMA Weather Protected TYPE I (WP I). Squirrel-cage Rotor.



Coupling Dimension



Note:

1. Downthrust: 6500 lbs. (L10-8800 hrs)
2. Rotation: C.C.W. (View from Top)
3. With Ball type N.R.R.
4. Approx Reed Frequencies: 65.5 Hz.
5. Upper Bearing (Oil lube)
Kind of Oil: Turbine Oil
-300SSU/100°F (ISO VG68)
Quantity: 0.53 Gallons

09.13.12

DWG.	K.L.KUO	04.20.11
CHKD.	K.L.KUO	04.20.11
APPD.	M.C.TSAI	04.20.11

TECO Westinghouse

DWG NO.
31057H810311

R