

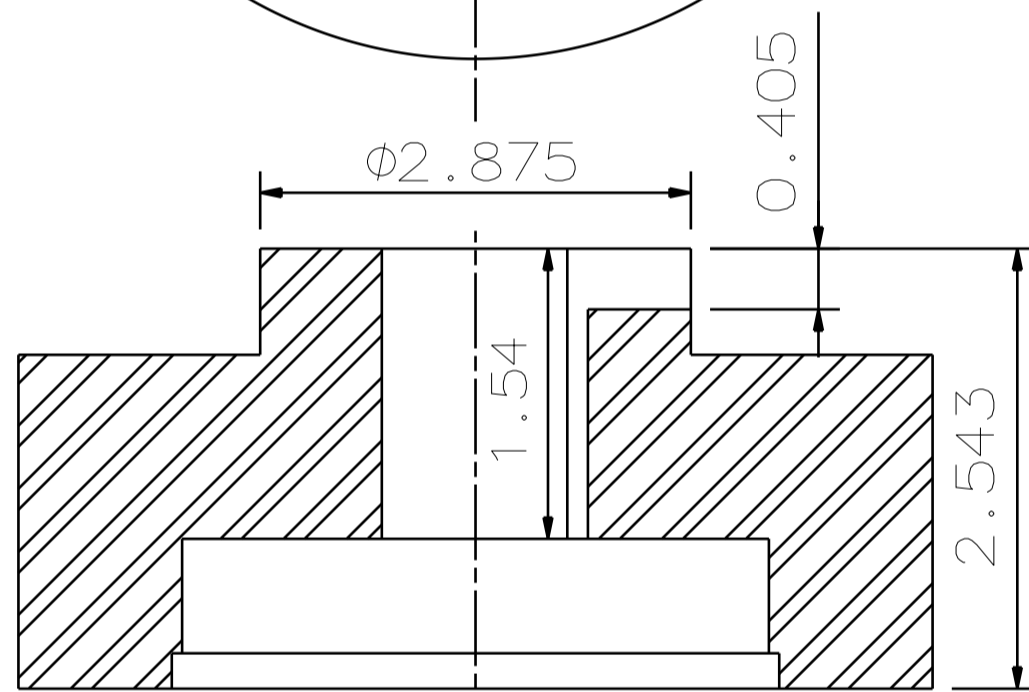
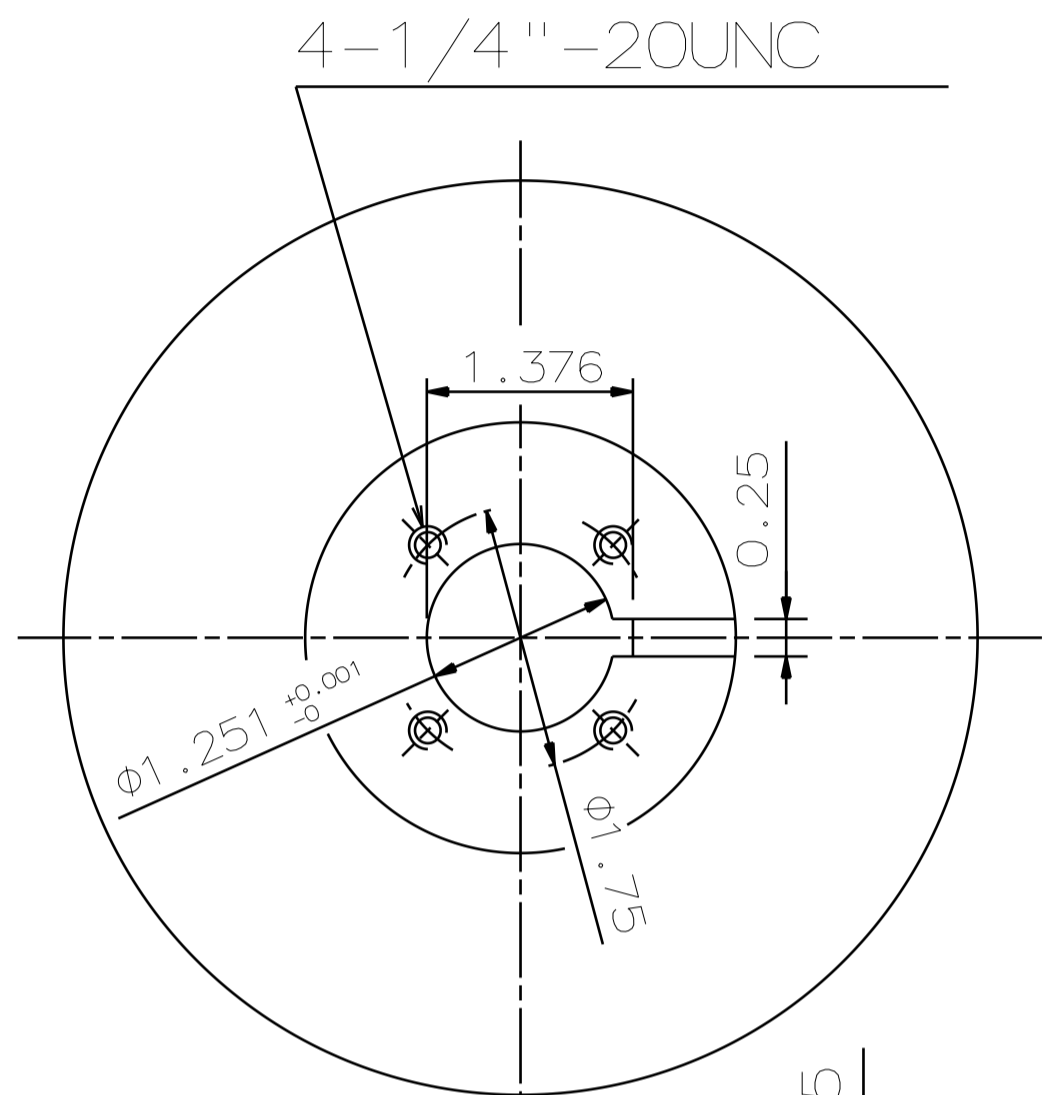
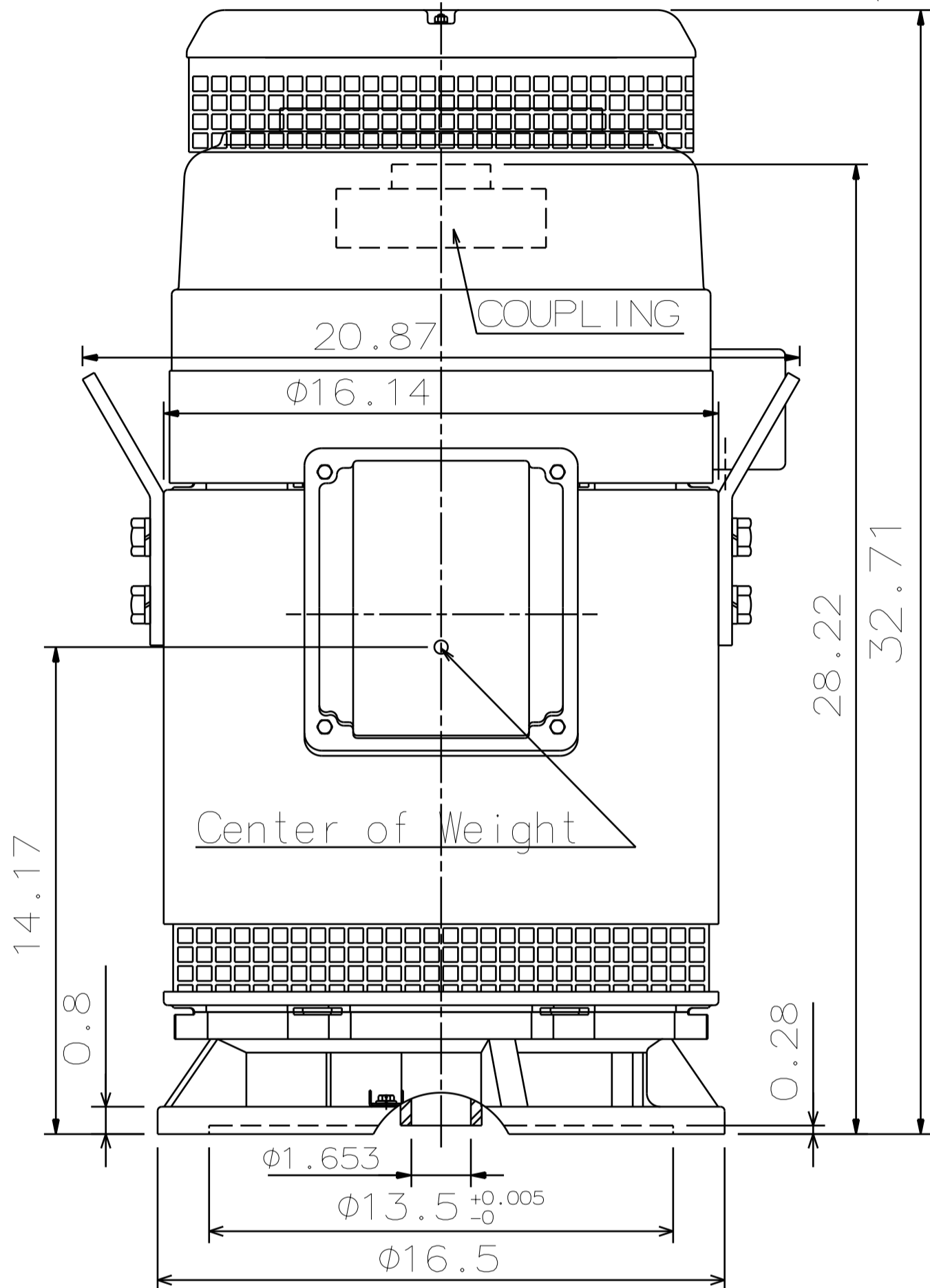


DATE DEC 08 2016	OUTLINE DIMENSIONS 3-PHASE INDUCTION MOTOR	MOTOR TYPE: AMRCNH-A01
CATALOG # VHP0504		FRAME NO. 326TP

Pole	HP	kW	Hz	VOLT	r/min(rpm)
4	50	37.3	60	230/460	1800

Ins	Rating	Dimension in	Approx Weight	Bearings	
F	CONT.	inch	708 lbs	DE:6312C3	NDE: 7220B

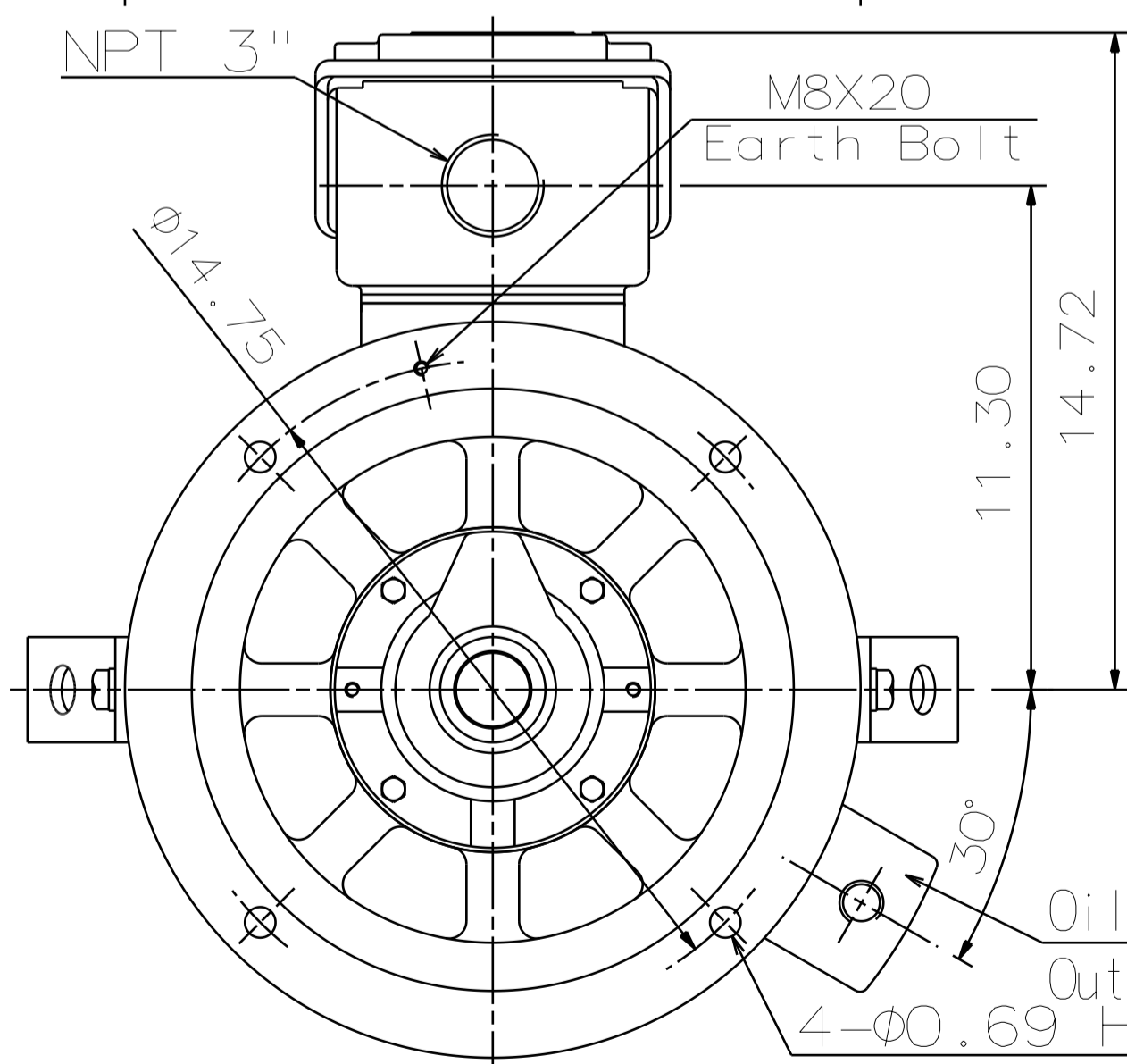
NEMA Weather Protected TYPE 1 (WP 1). Squirrel-cage Rotor.



Coupling Dimension

Note:

1. Downthrust: 6000 lbs. (L10-8800 hrs)
2. Rotation: C.C.W. (View from Top)
3. With Ball type N.R.R.
4. Approx Reed Frequencies: 75.6 Hz.
5. Upper Bearing (Oil lube)  
Kind of Oil: Turbine Oil -300SSU/100°F (ISO VG68)  
Quantity: 0.27 Gallons



Oil Gauge, Oil Inlet and Outlet (UPPER BEARING)  
4-Ø0.69 Holes

DWG.	K.L.KUO	04.20.11		DWG NO.	31057H809230
CHKD.	K.L.KUO	04.20.11			
APPD.	M.C.TSAI	04.20.11			

R