

DATE
DEC 08 2016

CATALOG #
VHP0404

OUTLINE DIMENSIONS

3-PHASE INDUCTION MOTOR

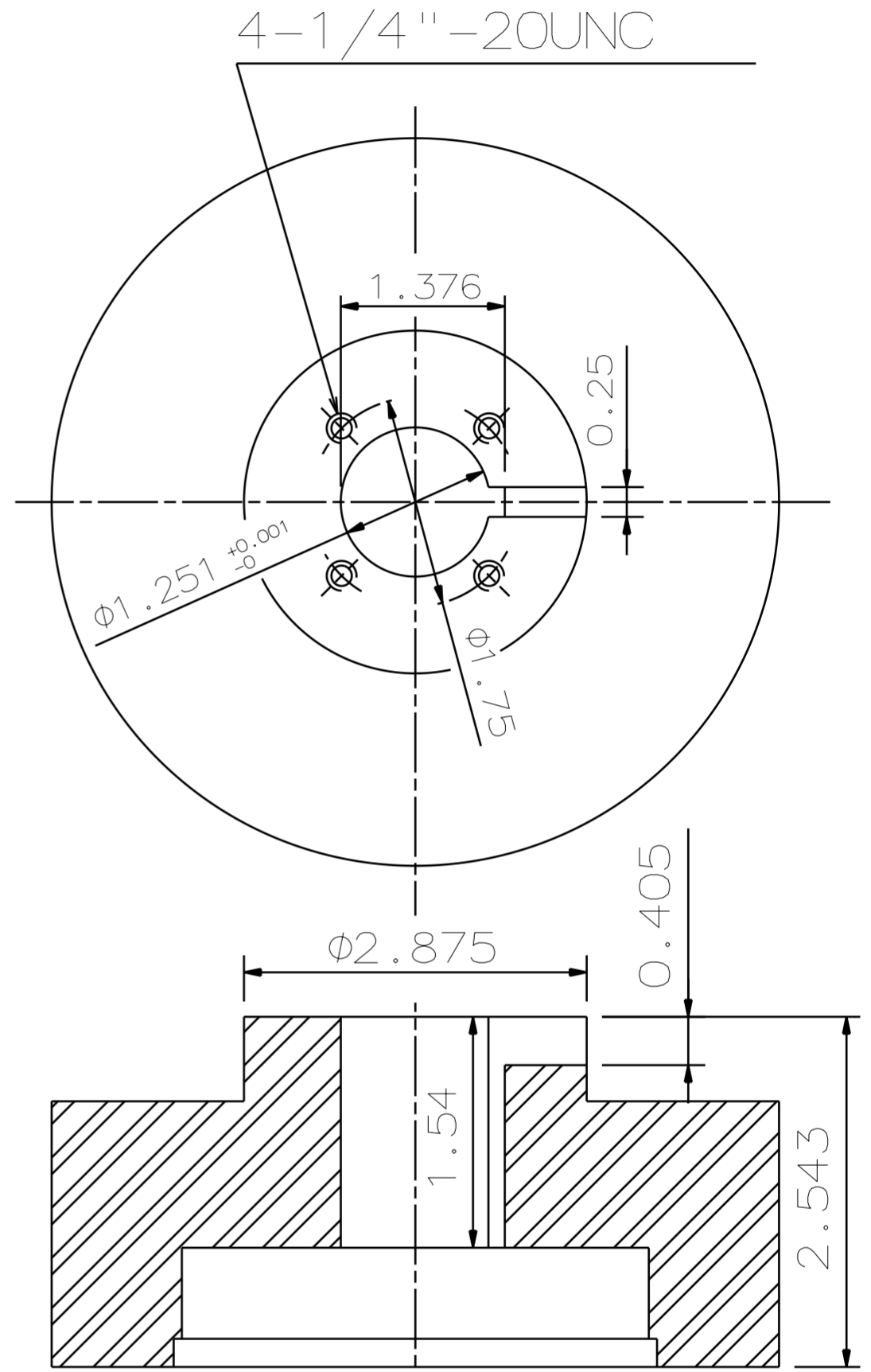
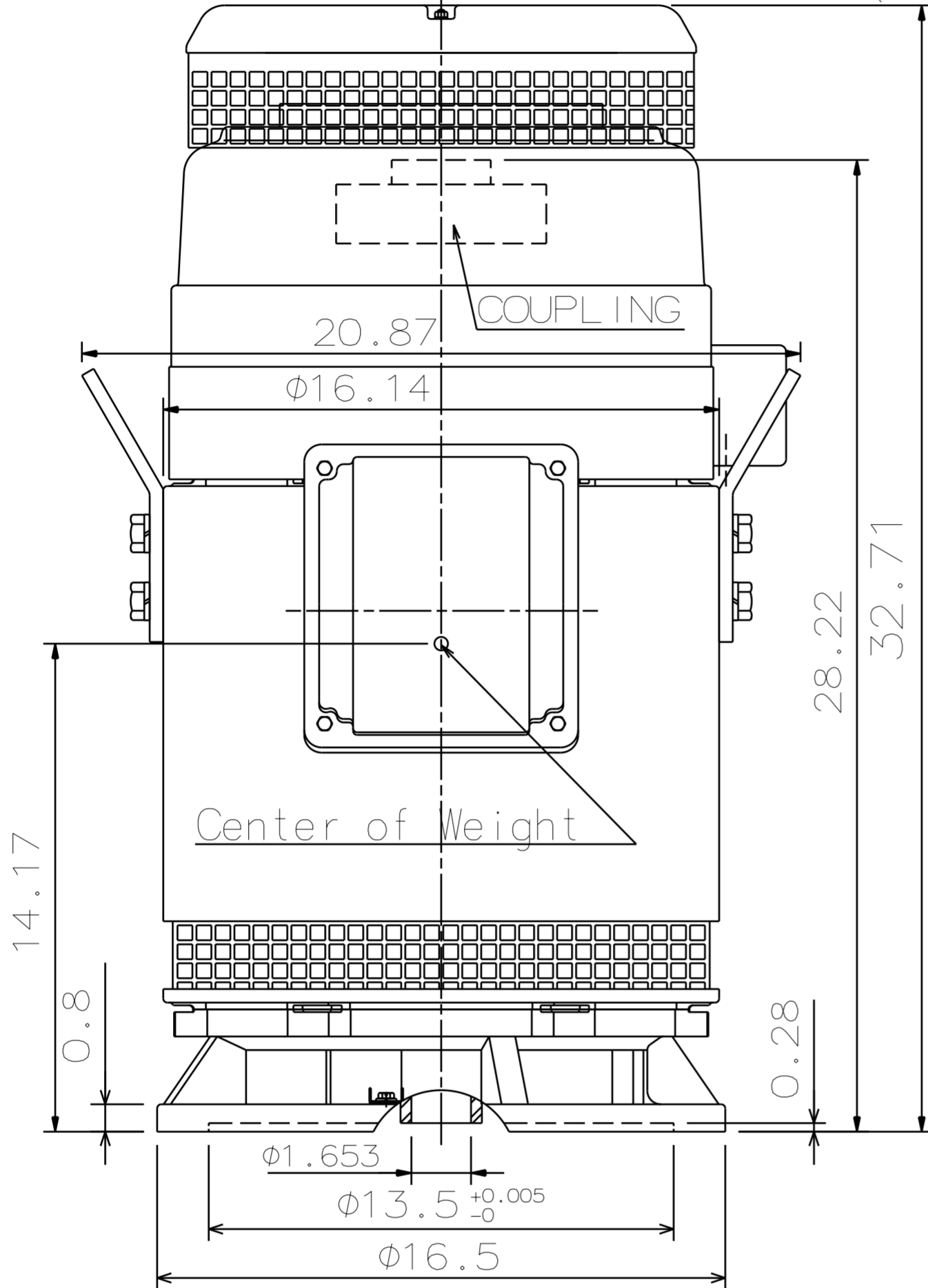
MOTOR TYPE:
AMRCNH-A01

FRAME NO. 324TP

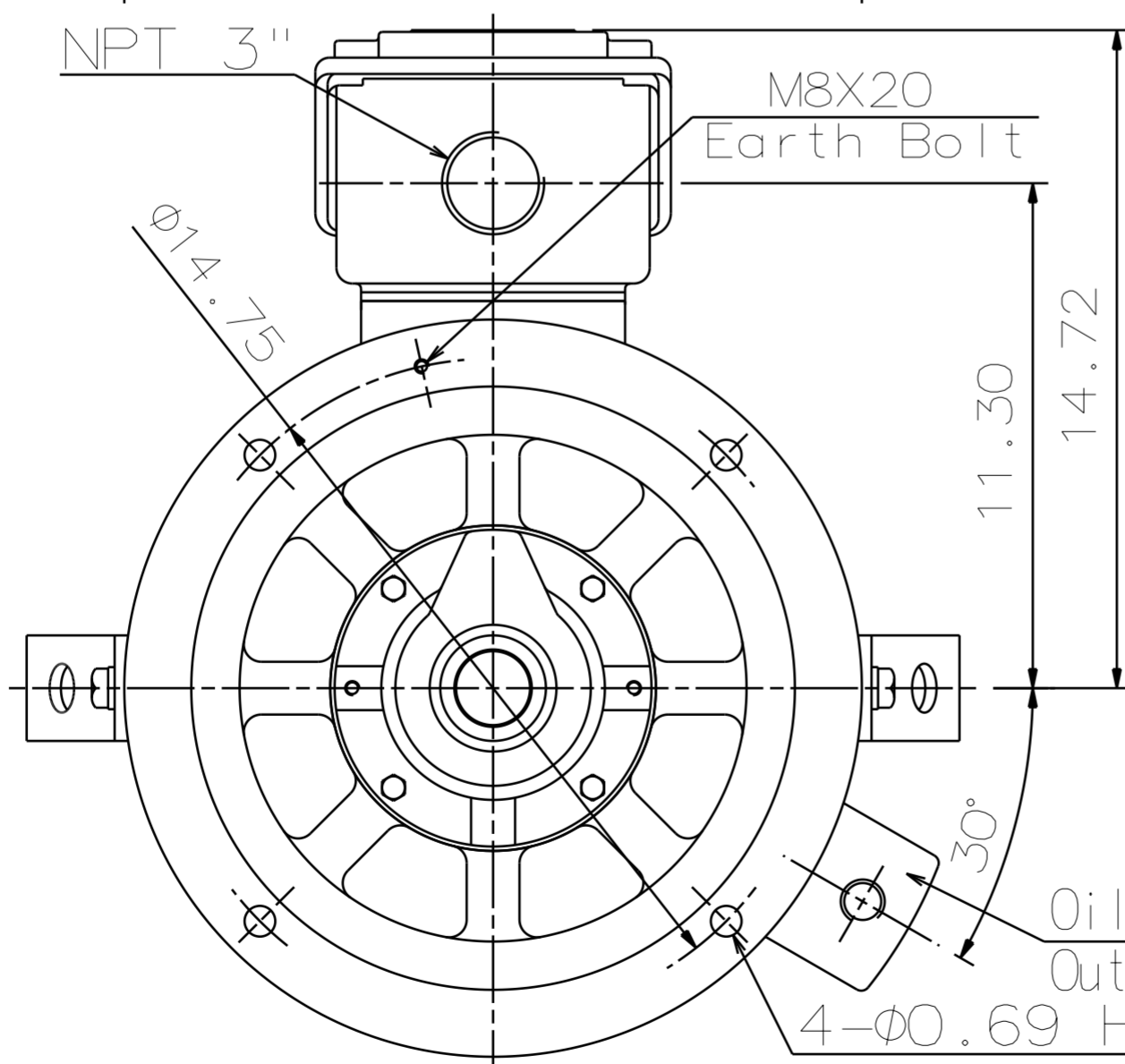
Pole	HP	kW	Hz	VOLT	r/min (rpm)
4	40	29.8	60	230/460	1800

Ins	Rating	Dimension in	Approx Weight	Bearings
F	CONT.	inch	659 lbs	DE:6312C3 NDE: 7220B

NEMA Weather Protected TYPE 1 (WP 1). Squirrel-cage Rotor.

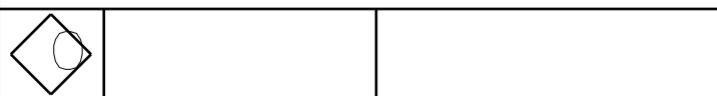


Coupling Dimension



Note:

1. Downthrust: 6000 lbs. (L10-8800 hrs)
2. Rotation: C.C.W. (View from Top)
3. With Ball type N.R.R.
4. Approx Reed Frequencies: 78.3 Hz.
5. Upper Bearing (Oil lube)
Kind of Oil: Turbine Oil -300SSU/100°F (ISO VG68)
Quantity: 0.27 Gallons



DWG.	K.L.KUO	04.20.11
CHKD.	K.L.KUO	04.20.11
APPD.	M.C.TSAI	04.20.11



DWG NO.
31057H809200