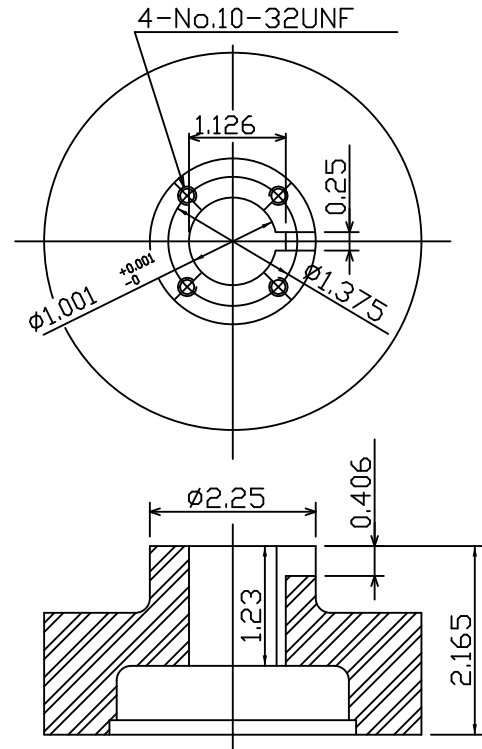
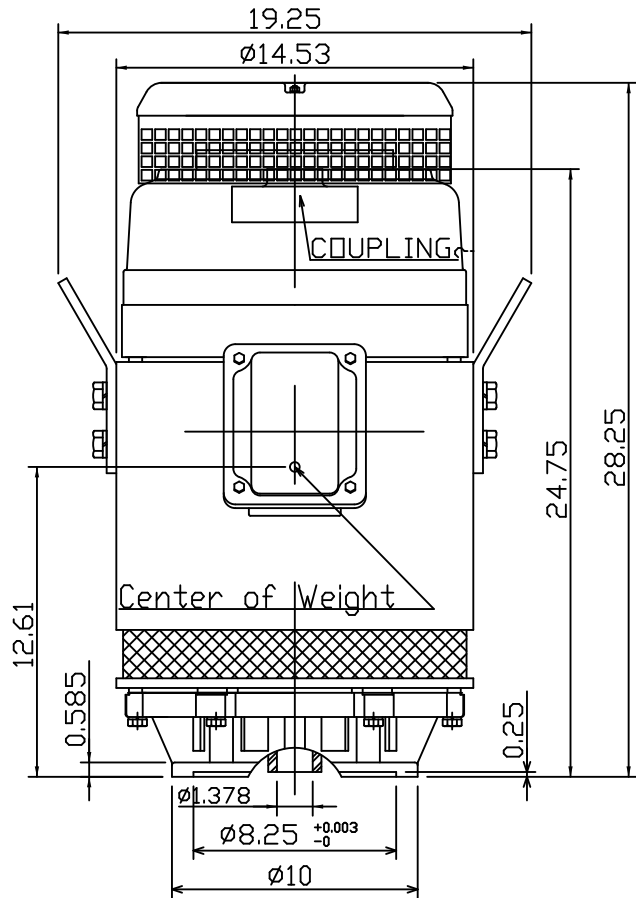


| | | |
|-----------------------|---|-----------------------|
| DATE Jan. 14, 2012 | OUTLINE DIMENSIONS 3-PHASE INDUCTION MOTOR | MOTOR TYPE: AMRCYC |
| CAT. #: VHP0254-50 | | FRAME NO. 284TP |

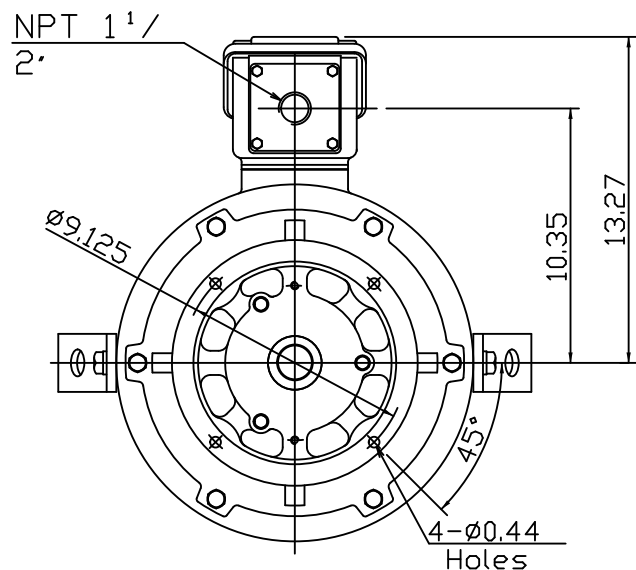
| | | | | | |
|------|----|------|----|---------|-------------------------|
| Pole | HP | kW | Hz | VOLT | Syn.Speed r/min(rpm) |
| 4 | 25 | 18.7 | 50 | 190/380 | 1800 |

| | | | | |
|-----|--------|--------------|---------------|------------------------|
| Ins | Rating | Dimension in | Approx Weight | Bearings |
| F | CONT. | inch | 429 lbs | DE: 6312ZZC3NDE: 7312B |

NEMA Weather Protected TYPE I (WP I) Squirrel-cage Rotor.



Coupling Dimension



- Note:
1. Downthrust: 3350lbs. L10 - 8800 hours
 2. Rotation: CCW
 3. With N.R.R.
 4. Approx Reed Frequencies: 71.3 Hz

| | | |
|----------|--|--|
| 12.23.08 | | |
|----------|--|--|

| | | | |
|--------------|----------|-------------------|---------------|
| DWN. ?????? | 12 12 08 | TECO Westinghouse | DWG NO. |
| CHKD. ?????? | 12 23 08 | | 31057H808121A |
| APPD. ?????? | 12 23 08 | | |