

DATE  
Jan. 14, 2011  
CAT. #: VHP0204-50

# OUTLINE DIMENSIONS

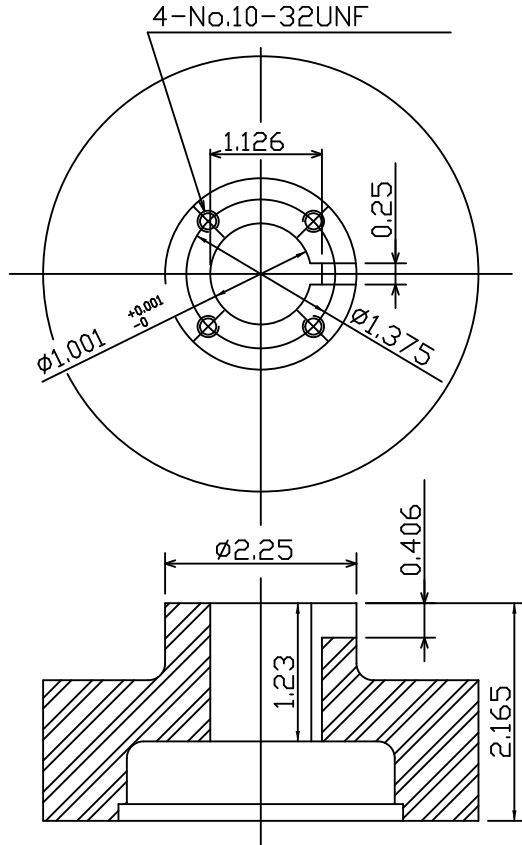
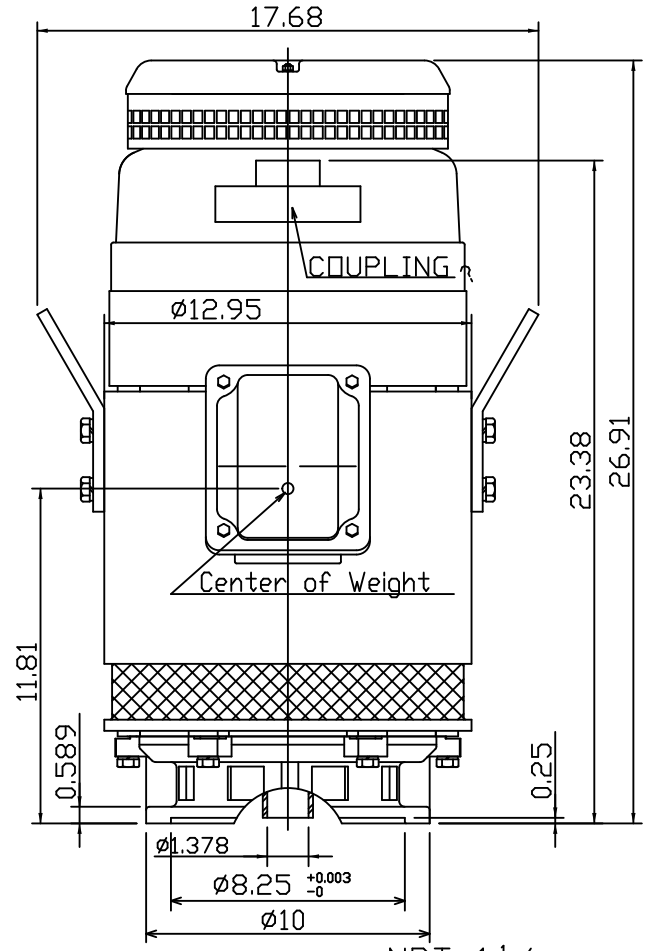
## 3-PHASE INDUCTION MOTOR

MOTOR TYPE:  
AMRCNH  
FRAME NO. 256TP

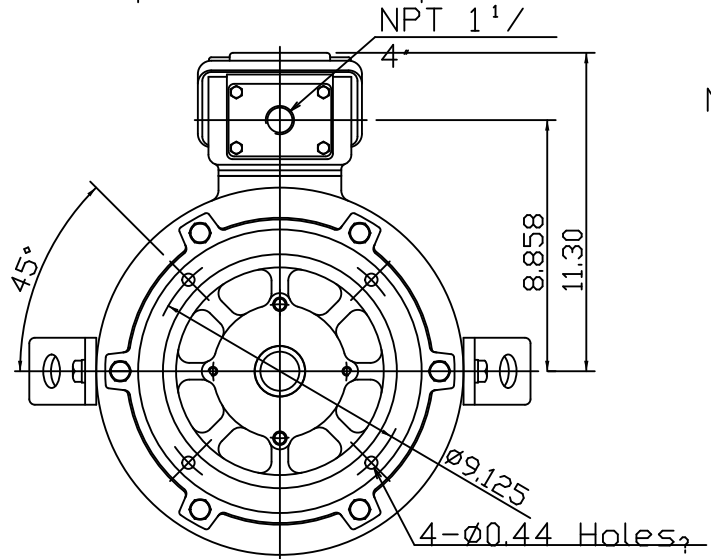
Pole	HP	kW	Hz	VOLT	Syn.Speed r/min(rpm)
4	20	15	50	190/380	1800

Ins	Rating	Dimension in	Approx Weight	Bearings
F	CONT.	inch	339 lbs	DE: 6309ZZC3 NDE: 7311B

NEMA Weather Protected TYPE I (WP I) Squirrel-cage Rotor.



Coupling Dimension



- Note:
1. Downthrust: 3350lbs  
L10 - 8800 hours
  2. Rotation: C.C.W  
Viewed from Top
  3. With N.R.R.
  4. Approx Reed  
Frequencies: 83 Hz

12.27.08

DWN.	????????	12 15 08
CHKD.	???????	01 09 09
APPD.	????????	01 09 09



DWG NO.  
31057H807091