

DATE  
February 16, 2004  
CATALOG NO.  
S0104

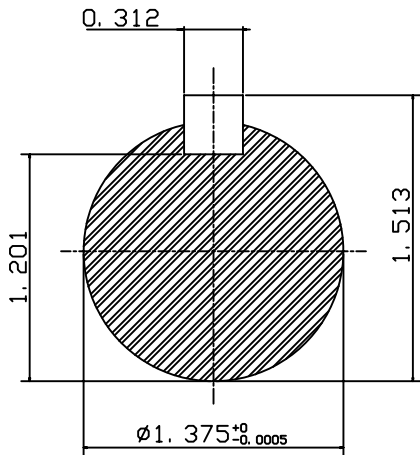
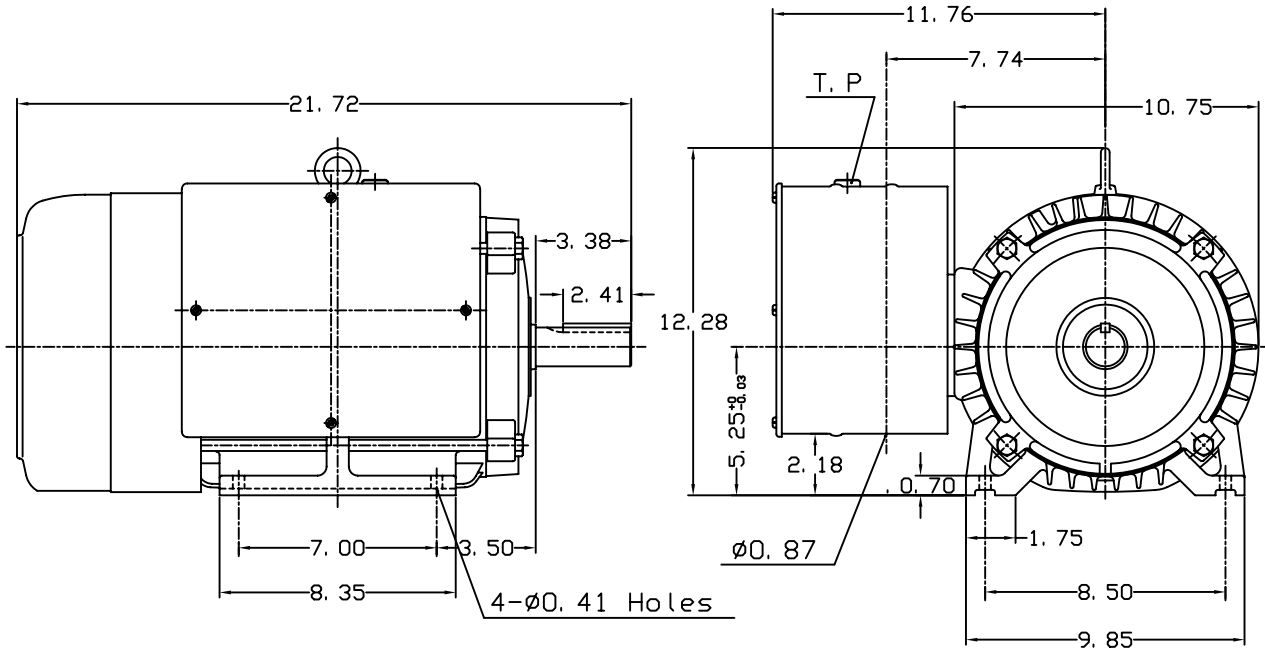
OUTLINE DIMENSIONS  
SINGLE-PHASE INDUCTION MOTOR

MOTOR TYPE:  
BECSFD  
FRAME NO. 215T

Pole	HP	KW	Hz	VOLT	Syn. Speed r/min(rpm)
4	10	7.5	60	230	1800

Ins	Rating	Dimension in	Approx Weight	Bearings
F	CONT.	Inches	180 lbs.	DE: 6308ZZ NDE: 6306ZZ

Totally Enclosed Fan Cooled Capacitor-start & Run Type Squirrel-cage Rotor



①		
---	--	--

DWN.	S. L. CHIAN	11-24-95
CHKD.	C. H. KAO	12-18-95
APPD.	Y. B. HUANG	12-18-95



DWG NO.  
31049U265001