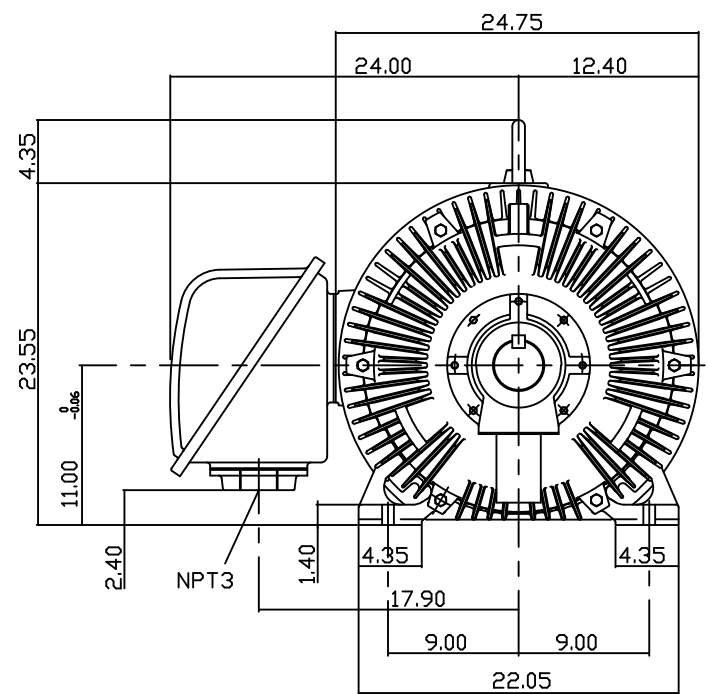
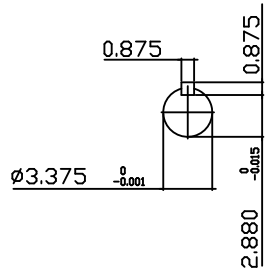
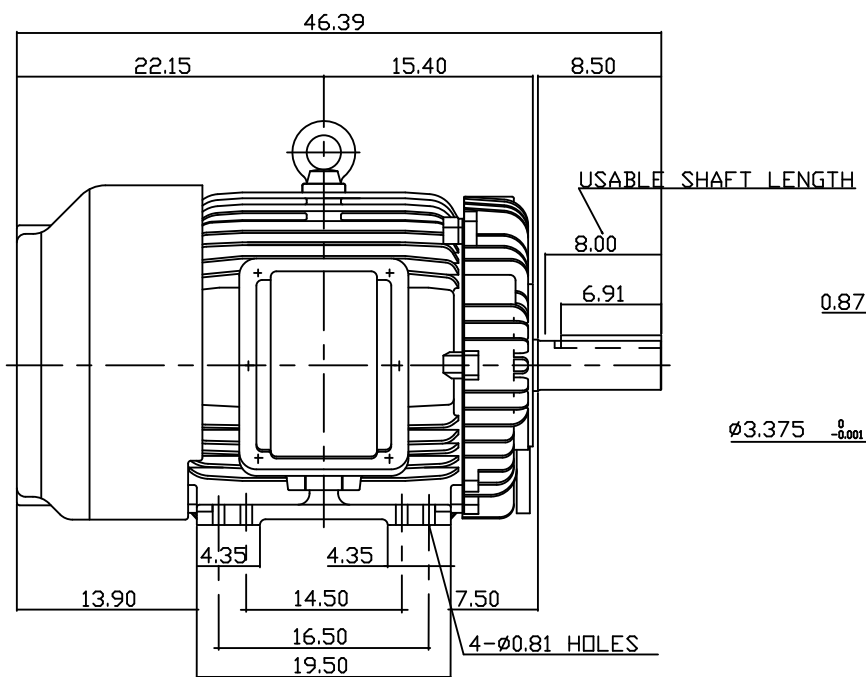


TYPE	OUTPUT		POLE	TIME RATING	VOLTAGE V	Hz	SYN.SPEED R.P.M
	HP.	KW.					
AEFAFP	100	74.6	6	CONT.	230/460	60	1200

TOTALLY ENCLOSED FAN-COOLED TYPE, SQUIRREL-CAGE ROTOR



- NOTE:
- DIMENSIONS IN INCH
 - FRAME NO. 445T
 - F CLASS INSULATION, S.F.1.15
 - FOR DIRECT FLEXIBLE COUPLING
 - ENCLOSURE: IP54
 - BEARING SIZE: DRIVE END: NU318
NON-DRIVE END: 6316
 - APPROX. WEIGHT: 2030 LBS
 - KLIXON 9700 THERMOSTAT, ONE PER PHASE, LEADS TERMINATE IN MAIN LEAD T-BOX. NORMALLY CLOSED.

TW-56C

DWN.	C.COOK	OCT-30-2015

DATE	OCT. 30, 2015	OUTLINE DIMENSIONS
CATALOG #	QT1006R	3-PHASE INDUCTION MOTOR
TEC Westinghouse		DWG NO. REV: 00
		QT1006R