

DATE
OCT. 30, 2015
CAT. #: QTP0106

OUTLINE DIMENSIONS

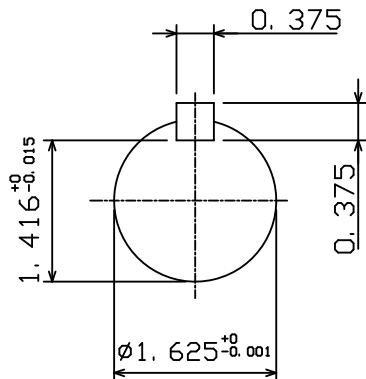
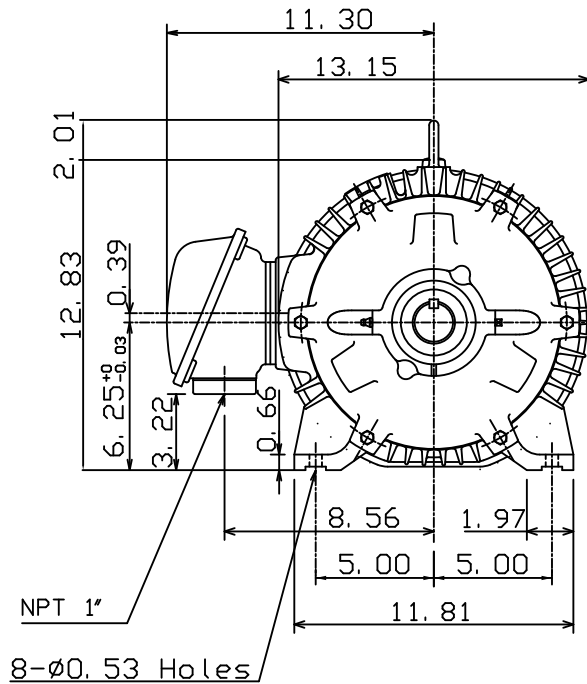
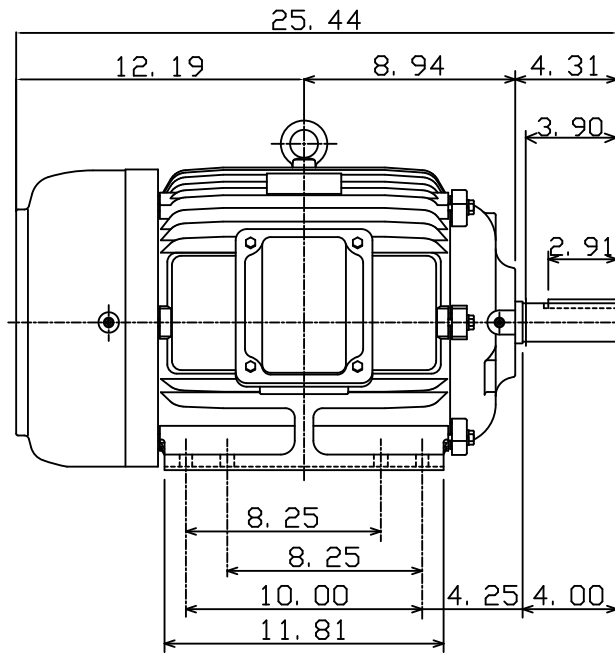
3-PHASE INDUCTION MOTOR

MOTOR TYPE:
AEEAFP
FRAME NO. 256T

Pole	HP	kW	Hz	VOLT	Syn. Speed r/min(rpm)
6	10	7.5	60	230/460	1200

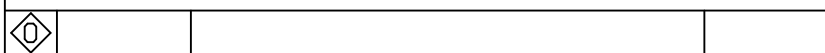
Ins	Rating	Dimension in	Approx Weight	Bearings
F	CONT.	inches	314 lbs.	DE: 6309ZZ NDE: 6307ZZ

Totally Enclosed Fan-Cooled Type. Squirrel-cage Rotor.



NOTE:

1. KLIXON 9700 THERMOSTAT, ONE PER PHASE, LEADS TERMINATE IN MAIN LEAD T-BOX. NORMALLY CLOSED.



DWN.	C. COOK	10-30-15

TECO **Westinghouse**

DWG NO.
QT0106