

DATE
March 8, 2004
CATALOG NO.
Q0406

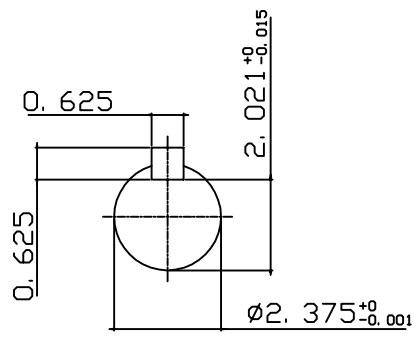
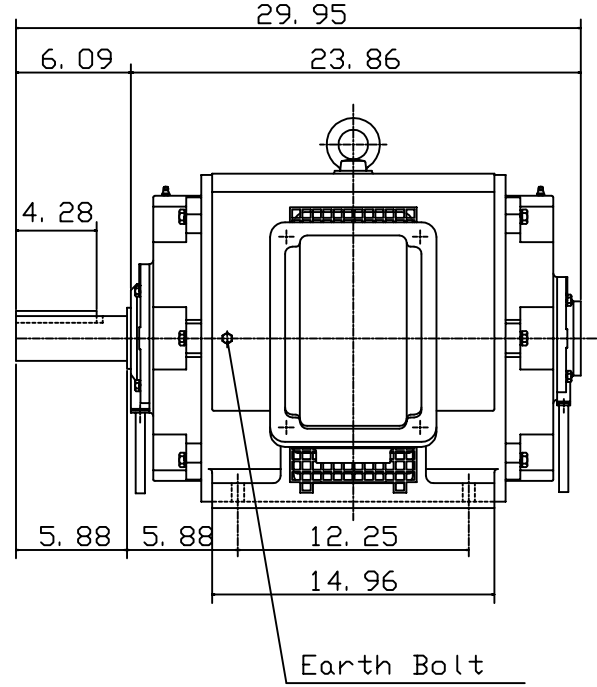
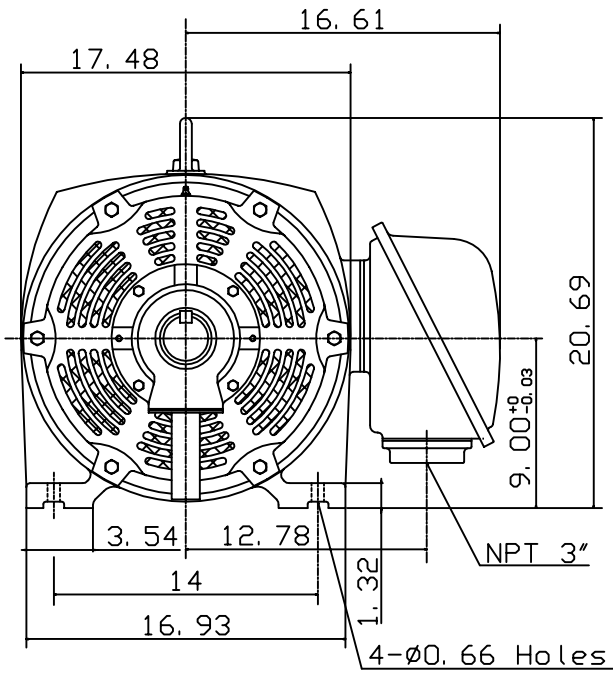
OUTLINE DIMENSIONS
3-PHASE INDUCTION MOTOR

MOTOR TYPE:
ASFAFP
FRAME NO. 365T

Pole	HP	kW	Hz	VOLT	Syn. Speed r/min(rpm)
6	40	29.84	60	230/460/796	1200

Ins	Rating	Dimension in	Approx Weight	Bearings	
F	CONT.	inches	1104 lbs.	DE: 6314	NDE: 6213

Open Protected Drip-Proof Squirrel-Cage Rotor.



DWN.	J. H. LIANG	12-22-98
CHKD.	C. H. KAD	06-10-99
APPD.	Y. B. HUANG	06-10-99



DWG NO.
31049U533010