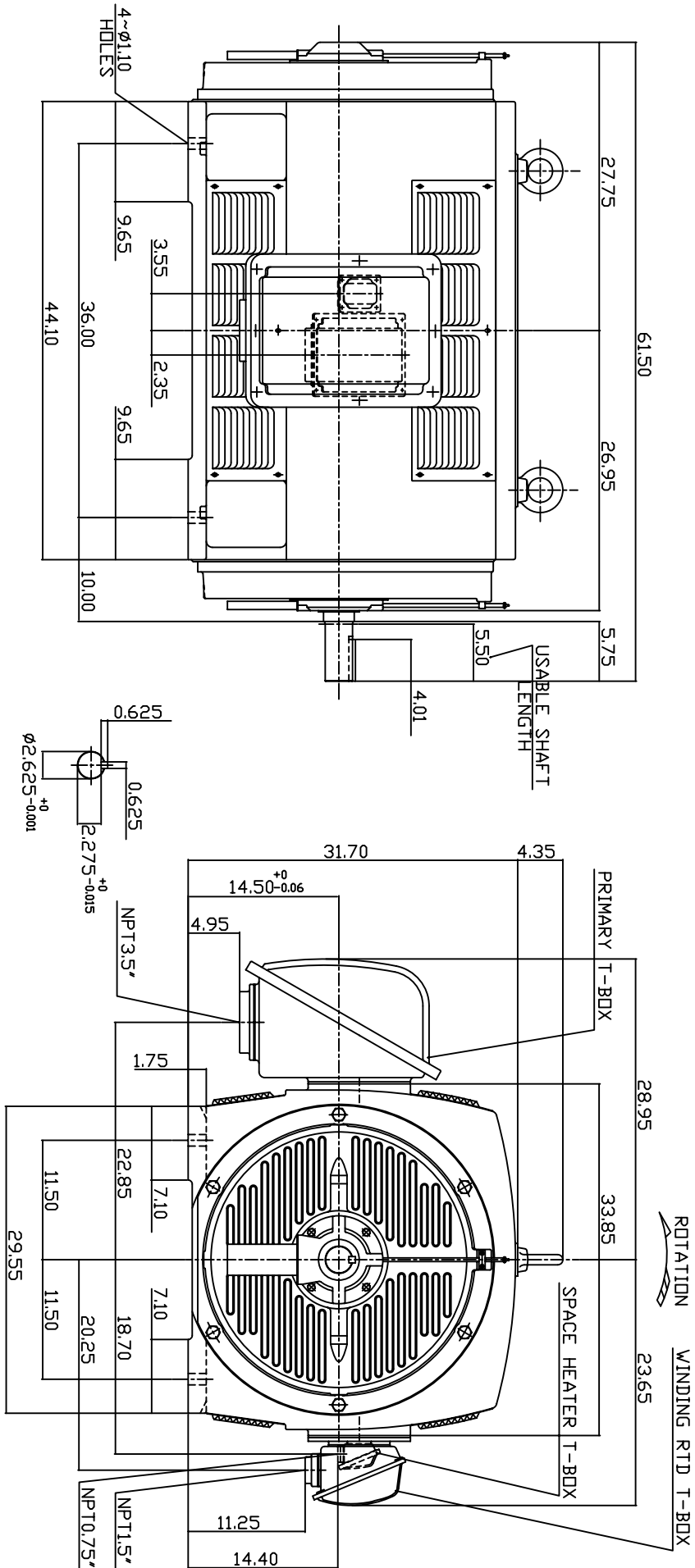


TYPE	OUTPUT		POLE	TIME RATING	VOLTAGE	Hz	SYN SPEED R.P.M
	HP.	KW.					
ASHA	900	671	2	CONT.	2300/4160	60	3600

WEATHER PROTECTED TYPE I. SQUIRREL-CAGE ROTOR



- NOTE: DIMENSIONS IN INCH.
1. FRAME NO. 5810A
 2. F CLASS INSULATION, S.F.1.15
 3. FOR DIRECT FLEXIBLE COUPLING
 4. WITH SPACE HEATER 120 VOLT SINGLE PHASE 250 WATTS
 5. 100 OHM PLATINUM WINDING RTD'S 2/PHASE
 6. BEARING SIZE: DRIVE END: 6315C3
NON-DRIVE END: 6315M/C3 VL024
 7. MOTOR APPRDX. WEIGHT: 5300 LBS
 - 8.

TW-66C

DWN.	W.LLIN	DATE
CHKD. <td>W.LLIN</td> <td>APR-17-2003</td>	W.LLIN	APR-17-2003
APPD. <td>C.WANG</td> <td>APR-17-2003</td>	C.WANG	APR-17-2003

DATE	OUTLINE DIMENSIONS
MAY 5, 2004	3-PHASE INDUCTION MOTOR
CATALOG NO. P9002	
TECO Westinghouse	DWG NO. 3A040T3872
	REV: 00