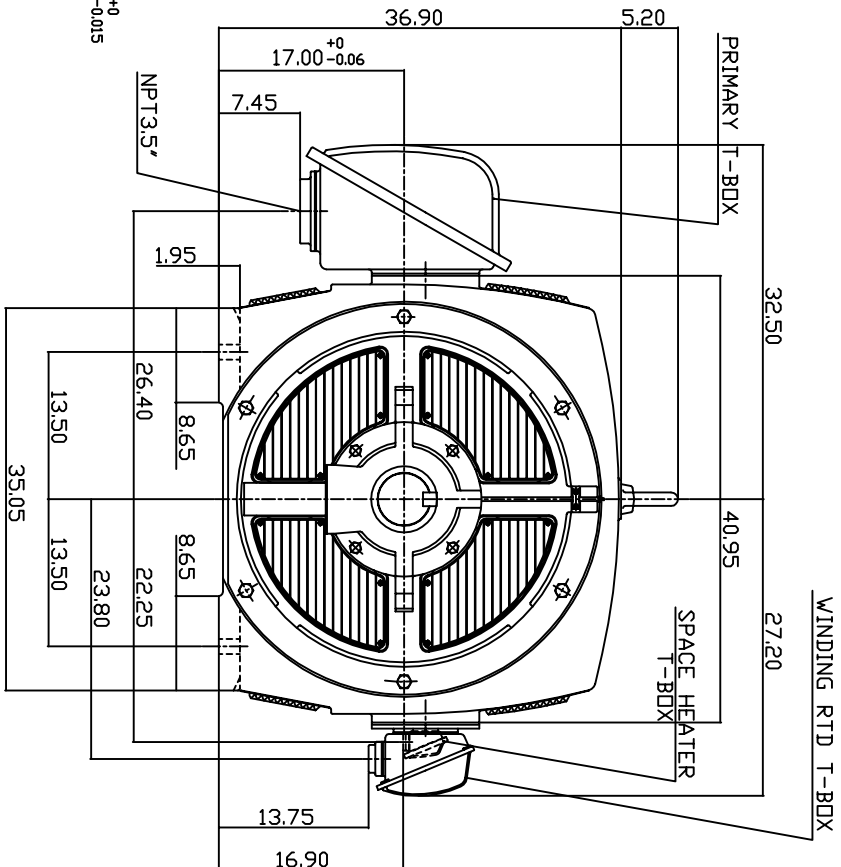
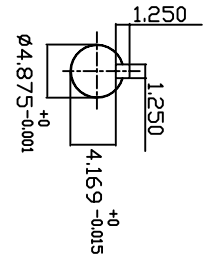
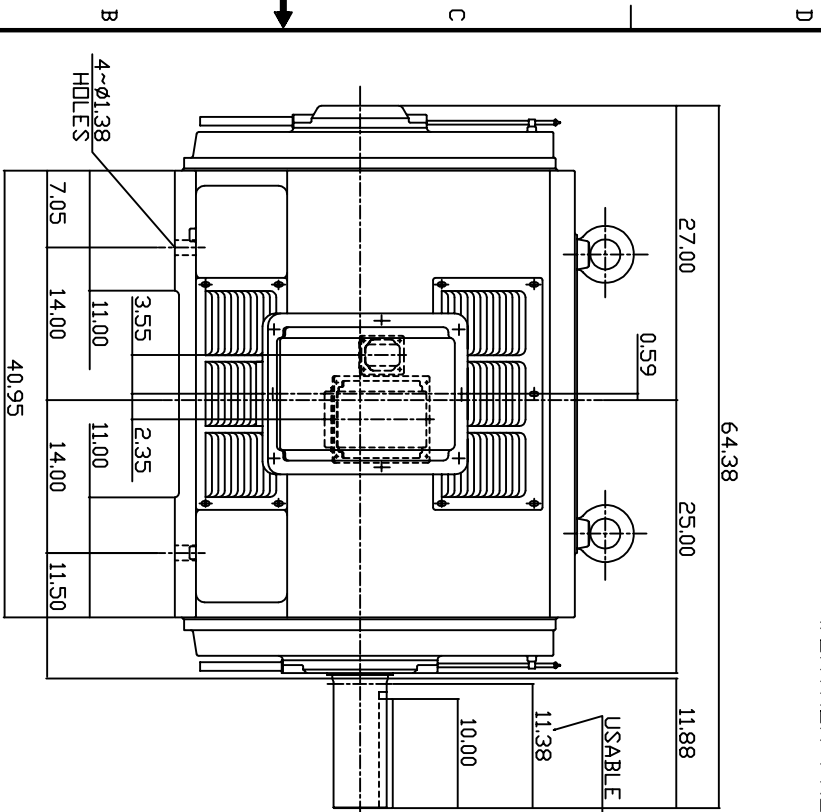


TYPE	OUTPUT		POLE	TIME RATING	VOLTAGE V	HZ	SYN SPEED R.P.M
	HP.	KW.					
ASHA-PA	800	597	6	CDNT.	2300/4160	60	1200

WEATHER PROTECTED TYPE I. SQUIRREL-CAGE ROTOR



NOTE: 1. DIMENSIONS IN INCH.

2. FRAME NO. 6806C
3. F CLASS INSULATION, S.F.1115
4. FOR BELT DRIVE APPLICATIONS
5. WITH SPACE HEATER 120 VOLT SINGLE PHASE 300 WATTS
6. 100 OHM PLATINUM WINDING RTD'S 2/PHASE
7. BEARING SIZE: DRIVE END: NU326
NON-DRIVE END: 6322
8. MOTOR APPROX. WEIGHT: 7400 LBS

TV-66C

DWN.	V.LLIN	DATE
CHKD.	V.LLIN	APR-17-2003
APPD.	C.VANG	APR-17-2003

DATE	OUTLINE DIMENSIONS
MAY 6, 2004	3-PHASE INDUCTION MOTOR
CATALOG NO. P8006R	

TECO Westinghouse DWG NO. 3A040T3896 REV: 00