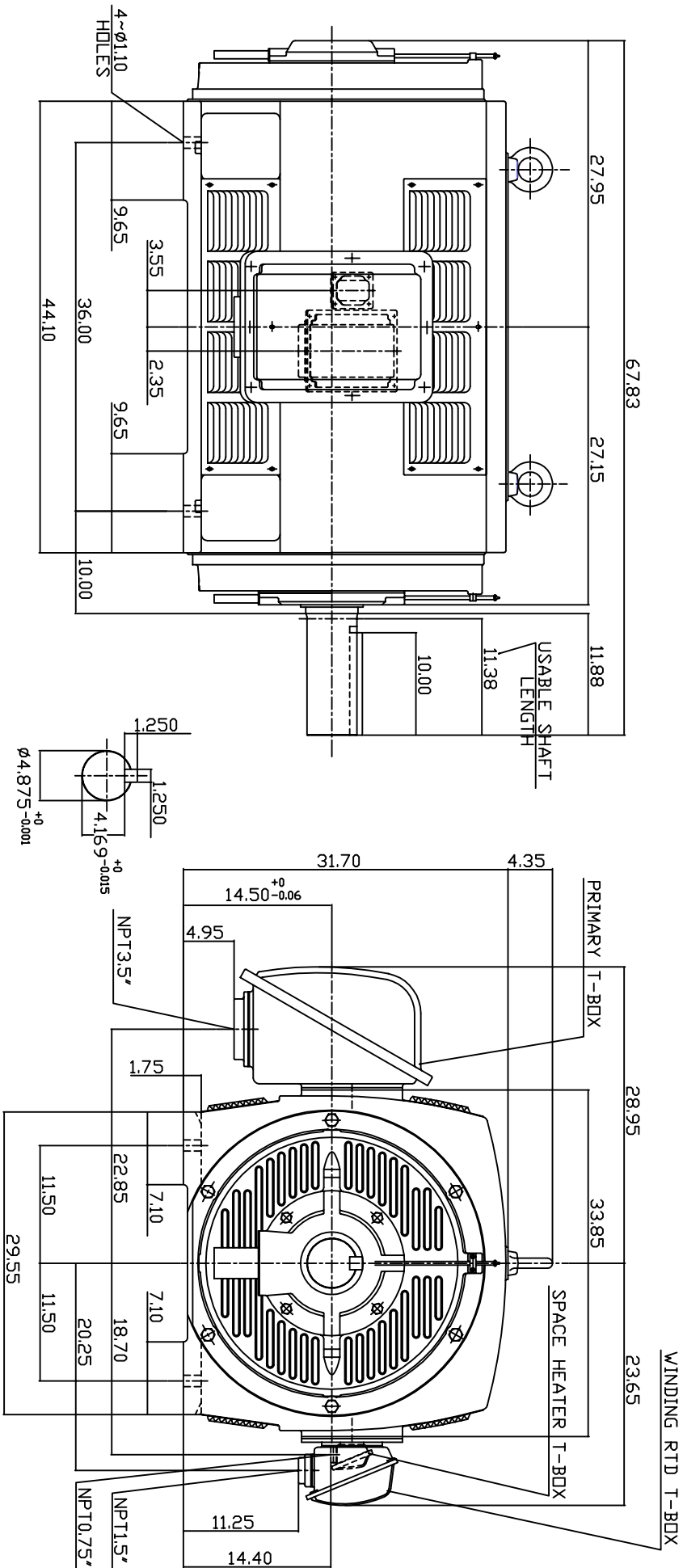


TYPE	OUTPUT		POLE	TIME RATING	VOLTAGE	Hz	SYN. SPEED R.P.M
	HP.	KW.					
ASHA	800	597	4	CONT.	2300/4160	60	1800

WEATHER PROTECTED TYPE I. SQUIRREL-CAGE ROTOR



NOTE:

1. DIMENSIONS IN INCH.
2. FRAME NO. 5810B
3. F CLASS INSULATION, S.F.115
4. FOR DIRECT FLEXIBLE COUPLING
5. WITH SPACE HEATER 120 VOLT SINGLE PHASE 250 WATTS
6. 100 OHM PLATINUM WINDING RTD'S 2/PHASE
7. BEARING SIZE: DRIVE END: 6326 NON-DRIVE END: 6322
8. MOTOR APPRDX. WEIGHT: 5550 LBS

TW-66C

DATE	OUTLINE DIMENSIONS	
MAY 5, 2004	3-PHASE INDUCTION MOTOR	
CATALOG NO. P8004	DWG NO. 3A040T3887	REV: 00
DWN. W.LLIN APR-17-2003	CHKD. W.LLIN APR-17-2003	APPD. C.WANG APR-17-2003