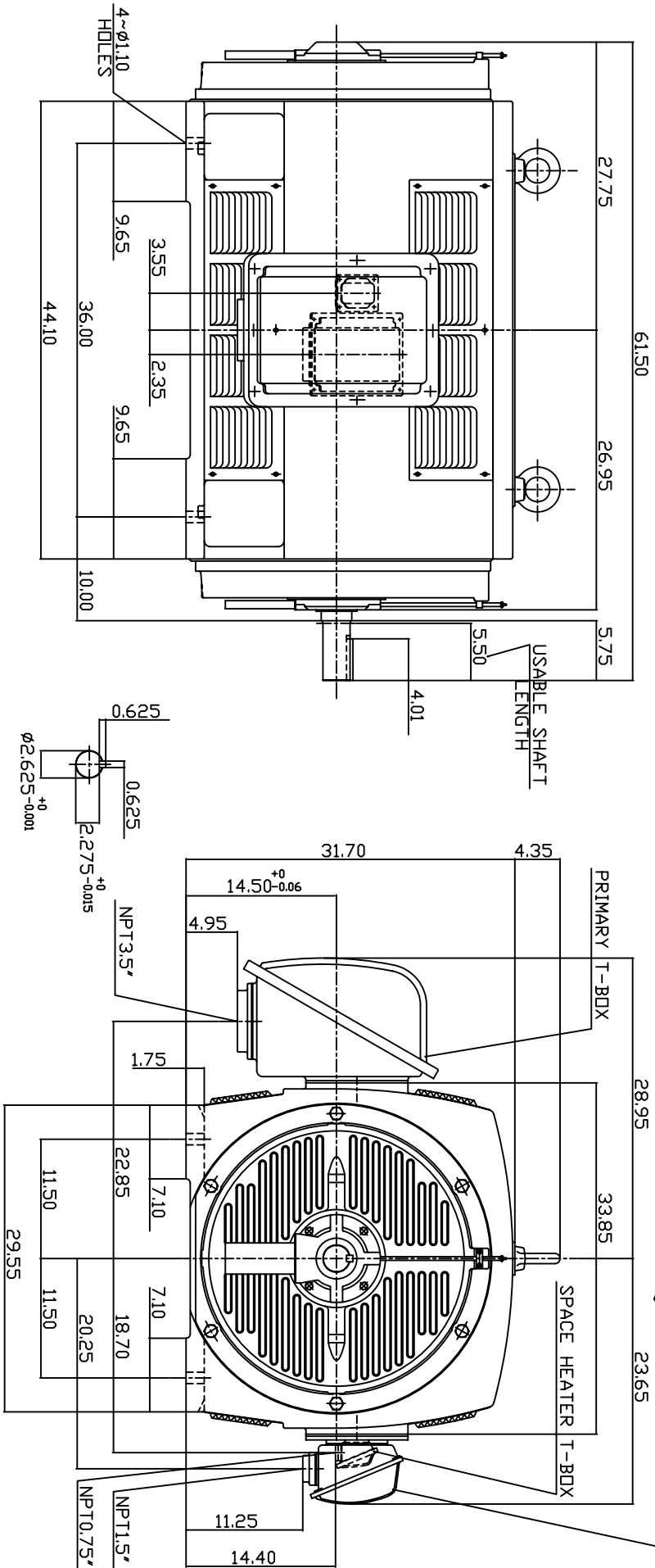


| TYPE | OUTPUT | | POLE | TIME RATING | VOLTAGE V | Hz | SYN. SPEED R.P.M |
|------|--------|-----|------|-------------|-----------|----|------------------|
| | HP. | KW. | | | | | |
| ASHA | 800 | 597 | 2 | CONT. | 2300/4160 | 60 | 3600 |

WEATHER PROTECTED TYPE I. SQUIRREL-CAGE ROTOR



- NOTE:
1. DIMENSIONS IN INCH.
 2. FRAME NO. 5810A
 3. F CLASS INSULATION, S.F.115
 4. FOR DIRECT FLEXIBLE COUPLING
 5. WITH SPACE HEATER 120 VOLT SINGLE PHASE 250 WATTS
 6. 100 OHM PLATINUM WINDING RTD'S 2/PHASE
 7. BEARING SIZE: DRIVE END: 6315C3
NON-DRIVE END: 6315M/C3 VL024
 8. MOTOR APPRDX. WEIGHT: 5100 LBS

TW-66C

| DWN. | W.LLIN | APR-17-2003 |
|-------|--------|-------------|
| CHKD. | W.LLIN | APR-17-2003 |
| APPD. | C.WANG | APR-17-2003 |

| DATE | OUTLINE DIMENSIONS |
|-------------|-------------------------|
| MAY 5, 2004 | 3-PHASE INDUCTION MOTOR |

CATALOG NO. P8002



DWG NO. 3A040T3871
REV: 00