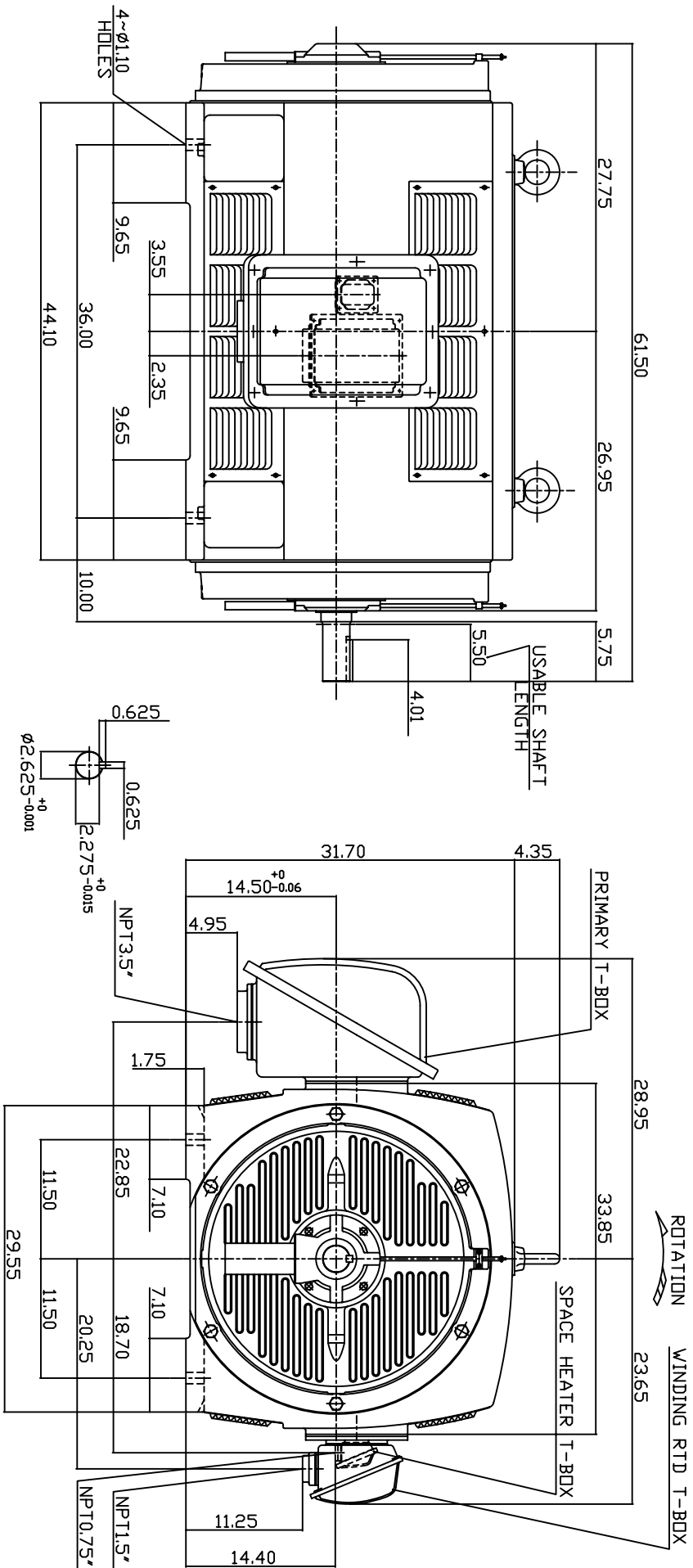


TYPE	OUTPUT		POLE	TIME RATING	VOLTAGE V	Hz	SYN. SPEED R.P.M
	HP.	KW.					
ASHA	700	522	2	CONT.	2300/4160	60	3600

WEATHER PROTECTED TYPE I. SQUIRREL-CAGE ROTOR



- NOTE:
1. DIMENSIONS IN INCH.
 2. FRAME NO. 5810A
 3. F CLASS INSULATION, S.F.115
 4. FOR DIRECT FLEXIBLE COUPLING
 5. WITH SPACE HEATER 120 VOLT SINGLE PHASE 250 WATTS
 6. 100 OHM PLATINUM WINDING RTD'S 2/PHASE
 7. BEARING SIZE: DRIVE END: 6315C3
NON-DRIVE END: 6315M/C3 VL024
 8. MOTOR APPRDX. WEIGHT: 4950 LBS

TW-66C

DWN.	W.LLIN	APR-17-2003
CHKD.	W.LLIN	APR-17-2003
APPD.	C.WANG	APR-17-2003

DATE	OUTLINE DIMENSIONS
MAY 5, 2004	3-PHASE INDUCTION MOTOR
CATALOG NO. P7002	

TECO Westinghouse
 DWG NO. 3A040T3870
 REV: 00