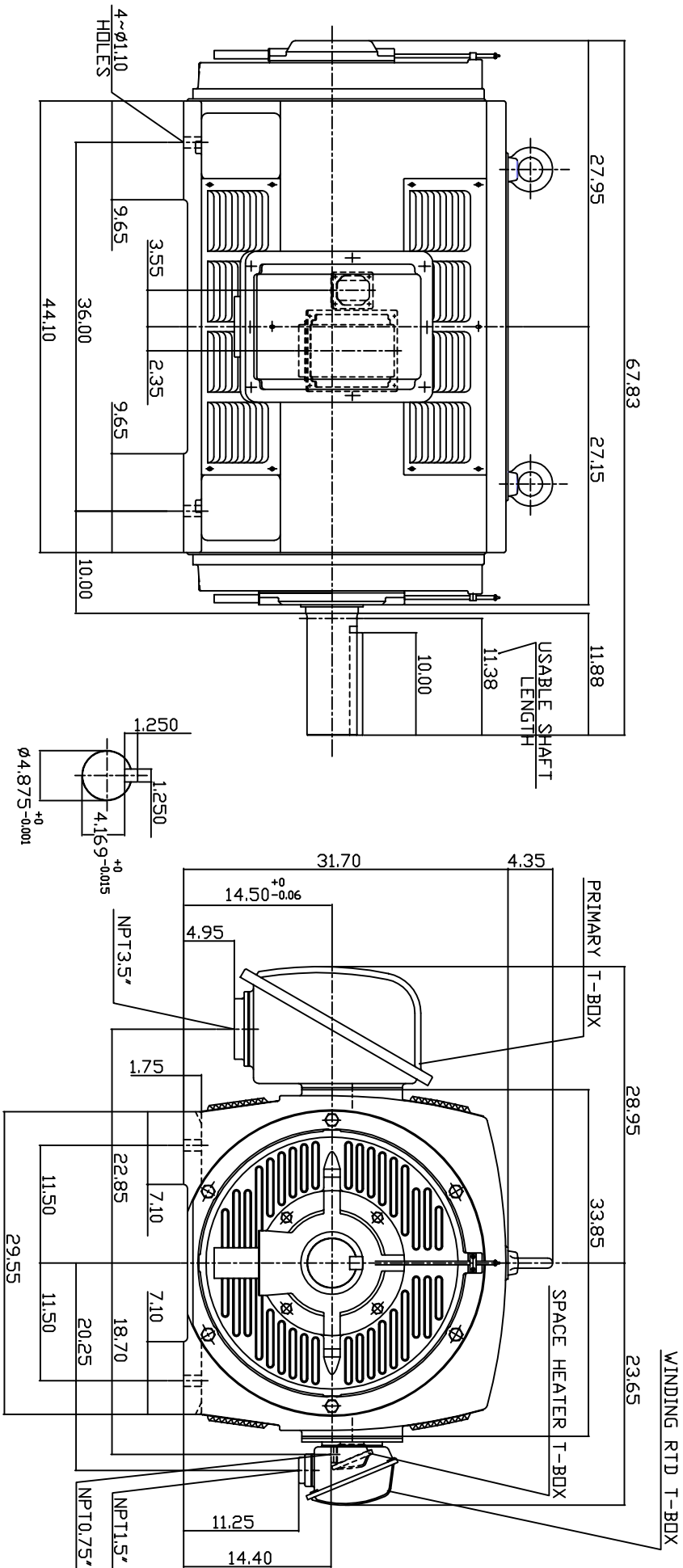


TYPE	OUTPUT		POLE	TIME RATING	VOLTAGE V	HZ	SYN.SPEED R.P.M
	HP.	KW.					
ASHA	600	448	6	CDNT.	2300/4160	60	1200

WEATHER PROTECTED TYPE I, SQUIRREL-CAGE ROTOR



NOTE: 1. DIMENSIONS IN INCH.

2. FRAME NO. 5810C
3. F CLASS INSULATION, S.F.115
4. FOR BELT DRIVE APPLICATIONS
5. WITH SPACE HEATER 120 VOLT SINGLE PHASE 250 WATTS
6. 100 OHM PLATINUM WINDING RTD'S 2/PHASE
7. BEARING SIZE: DRIVE END: NU326
NON-DRIVE END: 6322
8. MOTOR APPROX. WEIGHT: 5750 LBS

TW-66C

DVN.	W.LLIN	APR-17-2003
CHKD.	W.LLIN	APR-17-2003
APPD.	C.WANG	APR-17-2003

DATE	MAY 5, 2004	OUTLINE DIMENSIONS
CATALOG NO.	P6006R	3-PHASE INDUCTION MOTOR
TECO	Westinghouse	DWG NO. 3A040T3885
REV:	00	