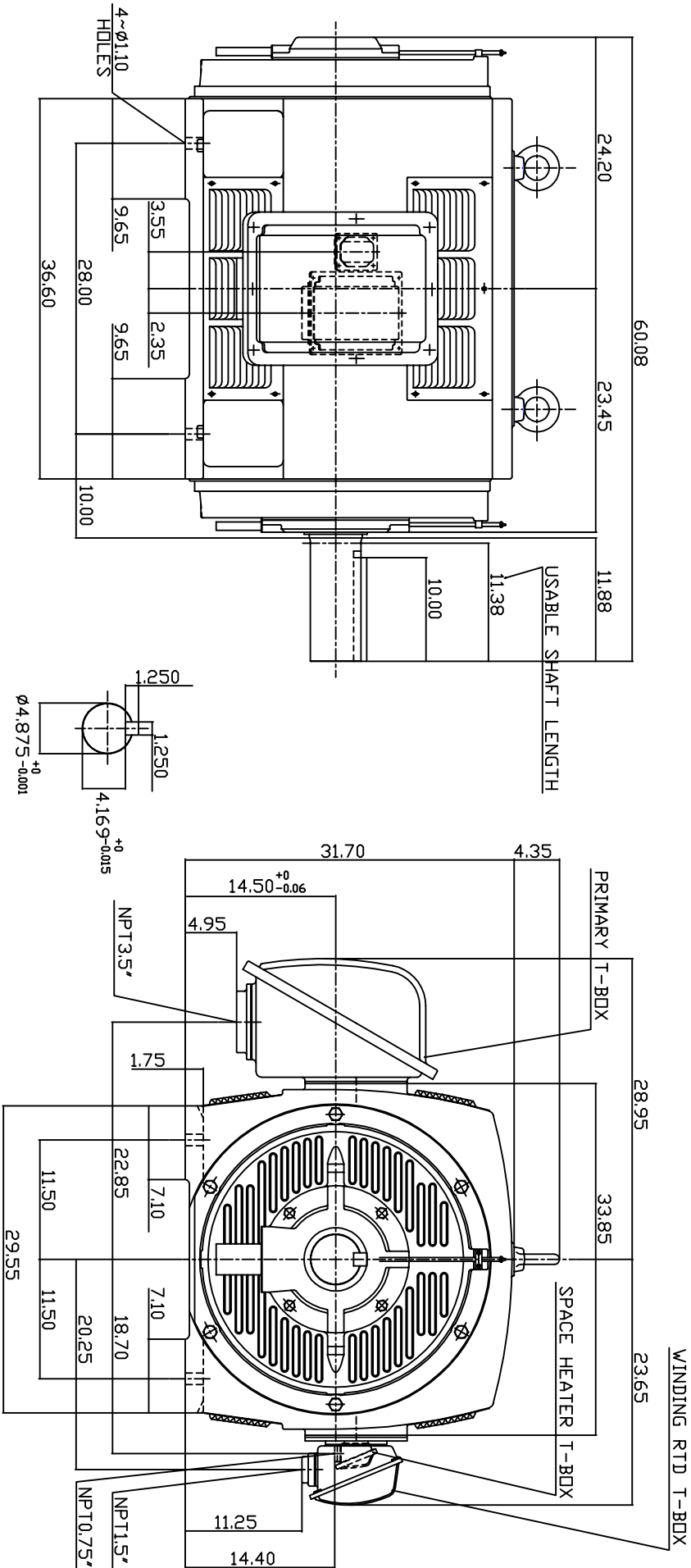


TYPE	OUTPUT		POLE	RATING	VOLTAGE	Hz	SYN.SPEED
	HP.	KW.					
ASHA	600	448	4	COND.	2300/4160	60	1800

WEATHER PROTECTED TYPE I. SQUIRREL-CAGE ROTOR



NOTE: 1. DIMENSIONS IN INCH.

- FRAME NO. 5808B
- F CLASS INSULATION, S.F.1.15
- FOR DIRECT FLEXIBLE COUPLING
- WITH SPACE HEATER 120 VOLT SINGLE PHASE 250 WATTS
- 100 OHM PLATINUM WINDING RTD'S 2/PHASE
- BEARING SIZE: DRIVE END: 6326
NON-DRIVE END: 6322
- MOTOR APPROX. WEIGHT: 5000 LBS

TW-66C

DWN.	W.LLIN	APR-17-2003
CHKD.	W.LLIN	APR-17-2003
APPD.	C.WANG	APR-17-2003

DATE	MAY 5, 2004	 	OUTLINE DIMENSIONS 3-PHASE INDUCTION MOTOR
CATALOG NO.	P6004		
DWG NO.	3A040T38613	REV:	00