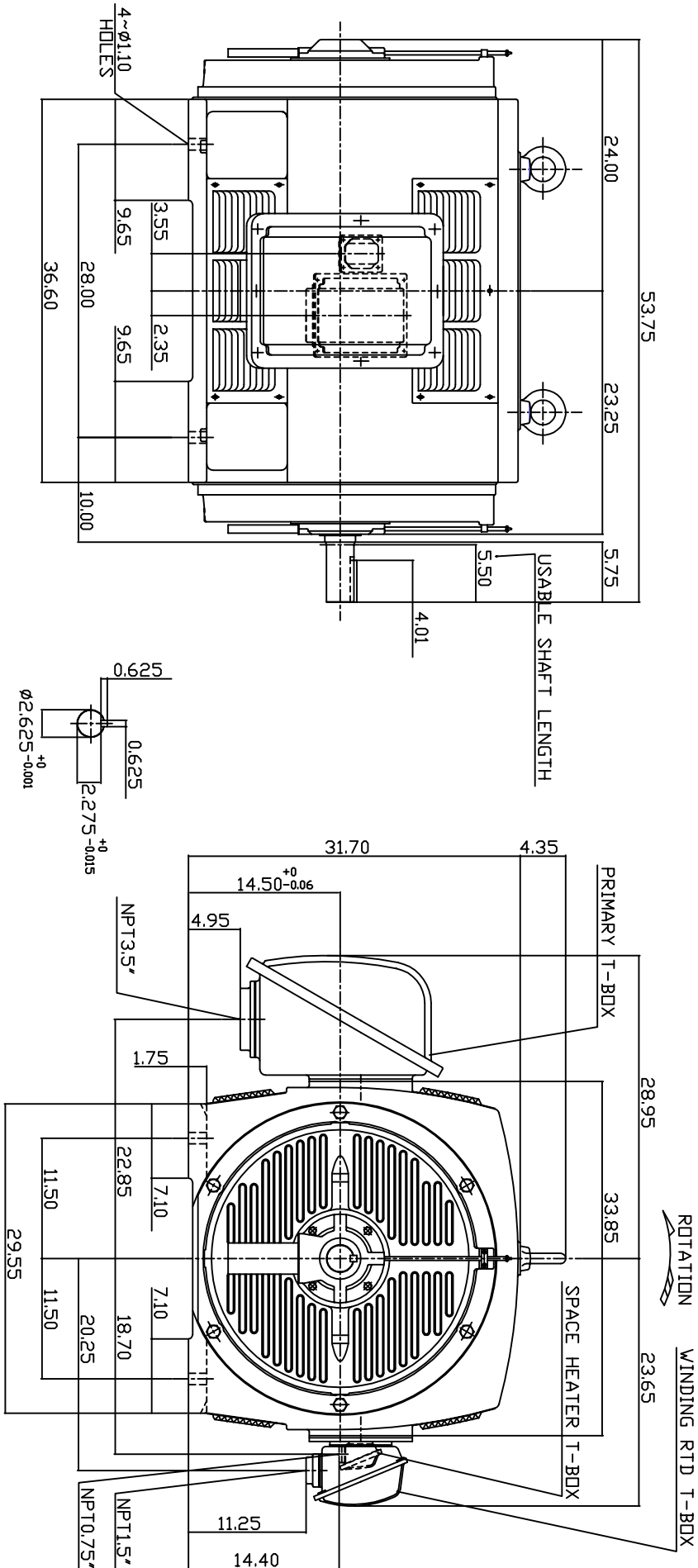


TYPE	OUTPUT		POLE	TIME RATING	VOLTAGE	Hz	SYN. SPEED R.P.M.
	HP.	KW.					
ASHA	500	373	2	CONT.	2300/4160	60	3600

WEATHER PROTECTED TYPE I, SQUIRREL-CAGE ROTOR



NOTE: 1. DIMENSIONS IN INCH.

- FRAME NO. 5808A
- F CLASS INSULATION, S.F.115
- FOR DIRECT FLEXIBLE COUPLING
- WITH SPACE HEATER 120 VOLT SINGLE PHASE 250 WATTS
- 100 OHM PLATINUM WINDING RTD'S 2/PHASE
- BEARING SIZE: DRIVE END: 6315C3
NON-DRIVE END: 6315C3
- MOTOR APPROX. WEIGHT: 4900 LBS

TW-66C

DWN.	W.LLIN	APR-17-2003
CHKD.	W.LLIN	APR-17-2003
APPD.	C.WANG	APR-17-2003

DATE: MAY 5, 2004
 CATALOG NO.: P5002
TECO Westinghouse
 OUTLINE DIMENSIONS
 3-PHASE INDUCTION MOTOR
 DWG NO.: 3A040T3851
 REV: 00