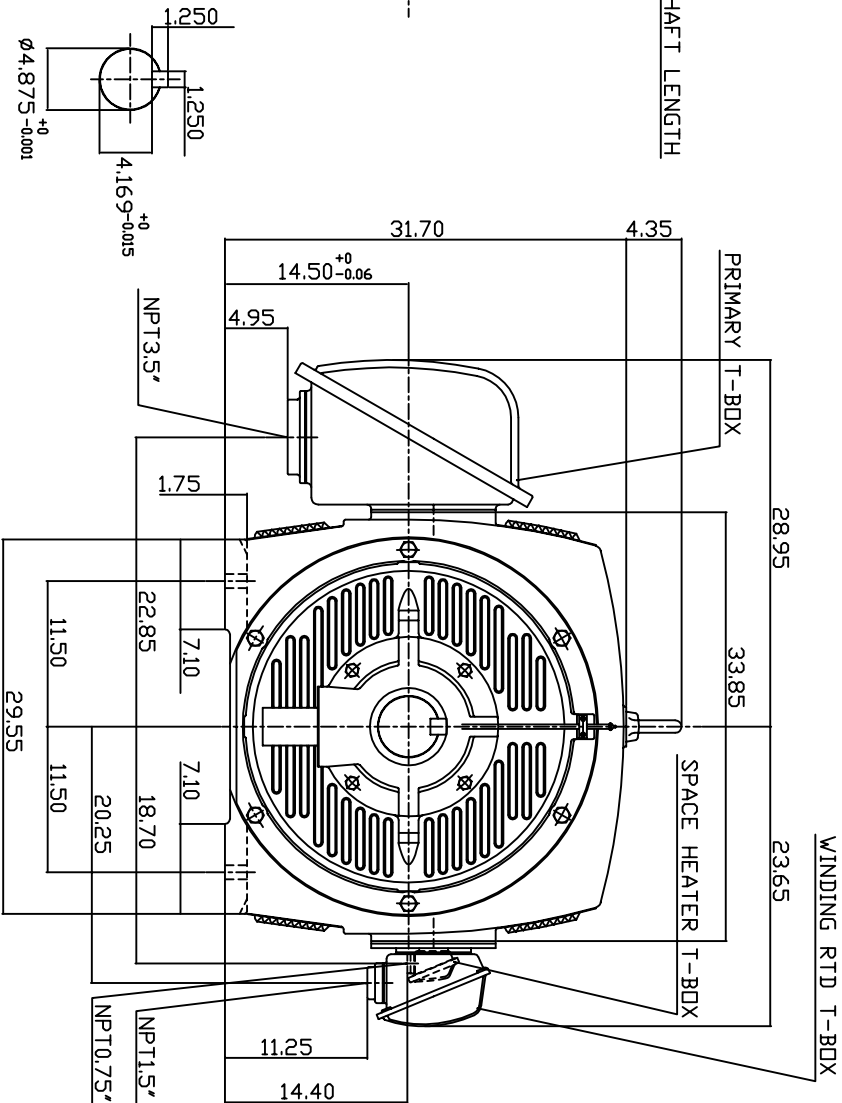
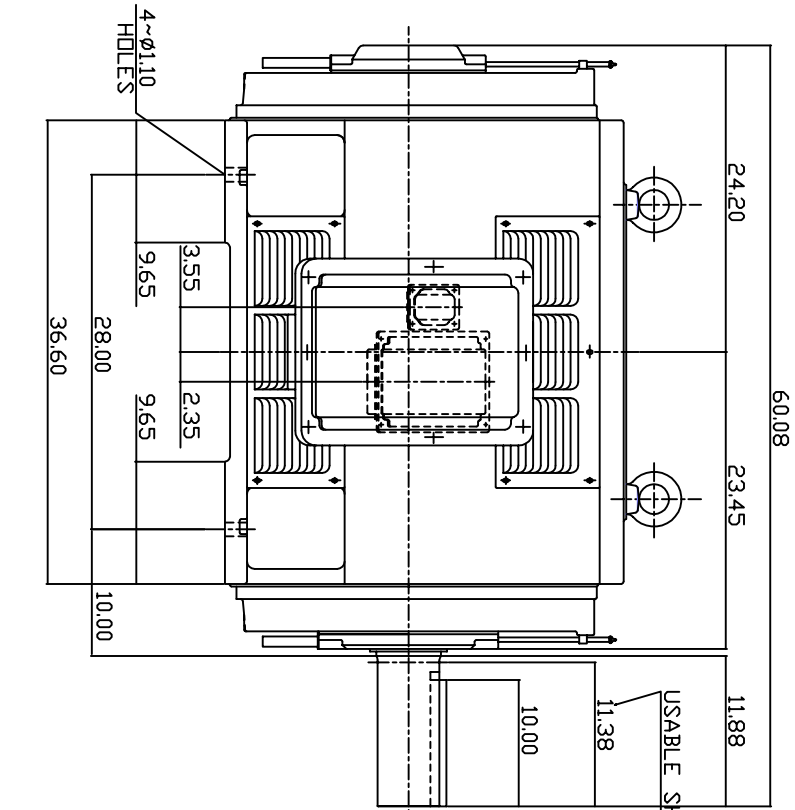


TYPE	OUTPUT		POLE	TIME RATING	VOLTAGE	HZ	SYN.SPEED R.P.M
	HP.	KW.					
ASHA	450	336	4	CDNT.	2300/4160	60	1800

WEATHER PROTECTED TYPE I. SQUIRREL-CAGE ROTOR



NOTE: 1. DIMENSIONS IN INCH.

2. FRAME NO. 5808B
3. F CLASS INSULATION, S.F.1.15
4. FOR DIRECT FLEXIBLE COUPLING
5. WITH SPACE HEATER 120 VOLT SINGLE PHASE 250 WATTS
6. 100 OHM PLATINUM WINDING RTD'S 2/PHASE
7. BEARING SIZE: DRIVE END: 6326 NON-DRIVE END: 6322
8. MOTOR APPROX. WEIGHT: 4000 LBS

TW-66C

DWN.	W.LLIN	APR-17-2003
CHKD.	W.LLIN	APR-17-2003
APPD.	C.WANG	APR-17-2003

DATE	MAY 5, 2004	OUTLINE DIMENSIONS
CATALOG NO.	P4504	
3-PHASE INDUCTION MOTOR		DVG NO. 3A040T38611
REV: 00		

TECO Westinghouse