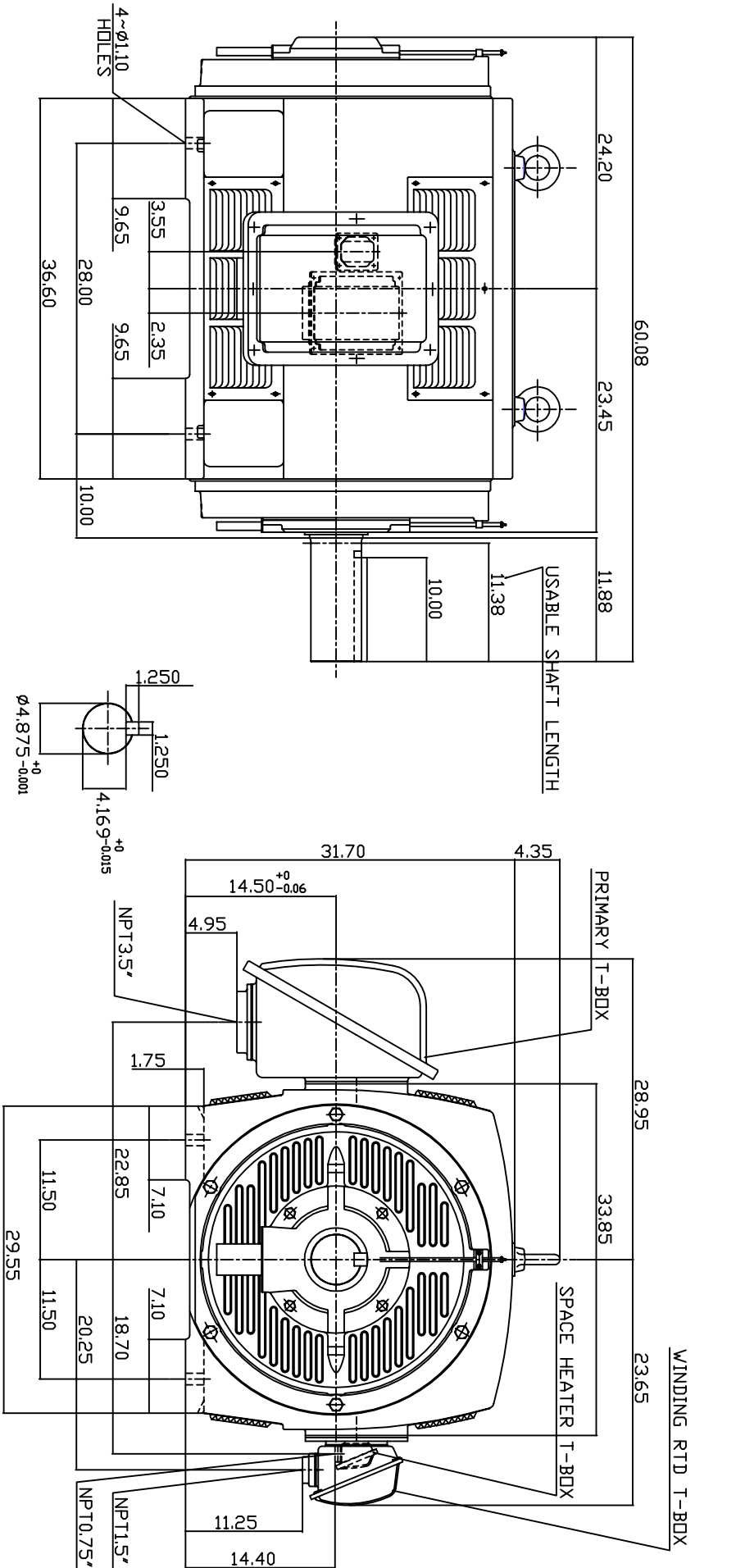


TYPE	OUTPUT		POLE	TIME RATING	VOLTAGE	Hz	SYN. SPEED R.P.M.
	HP.	KW.					
ASHA	400	298	6	CONT.	2300/4160	60	1200

WEATHER PROTECTED TYPE I, SQUIRREL-CAGE ROTOR



NOTE: 1. DIMENSIONS IN INCH.

1. DIMENSIONS IN INCH.
2. FRAME NO. 5808C
3. F CLASS INSULATION, S.F.115
4. FOR BELT DRIVE APPLICATIONS
5. WITH SPACE HEATER 120 VOLT SINGLE PHASE 250 WATTS
6. 100 OHM PLATINUM WINDING RTD'S 2/PHASE
7. BEARING SIZE: DRIVE END: NU326
NON-DRIVE END: 6322
8. MOTOR APPRDX. WEIGHT: 4200 LBS

TW-66C

DATE	DESCRIPTION
MAY 5, 2004	OUTLINE DIMENSIONS
APR 17 2003	3-PHASE INDUCTION MOTOR

DWN.	W.LLIN	APR 17 2003	TECO	DWG NO.
CHKD.	W.LLIN	APR 17 2003	Westinghouse	3A040T3867
APPD.	C.WANG	APR 17 2003		REV: 00