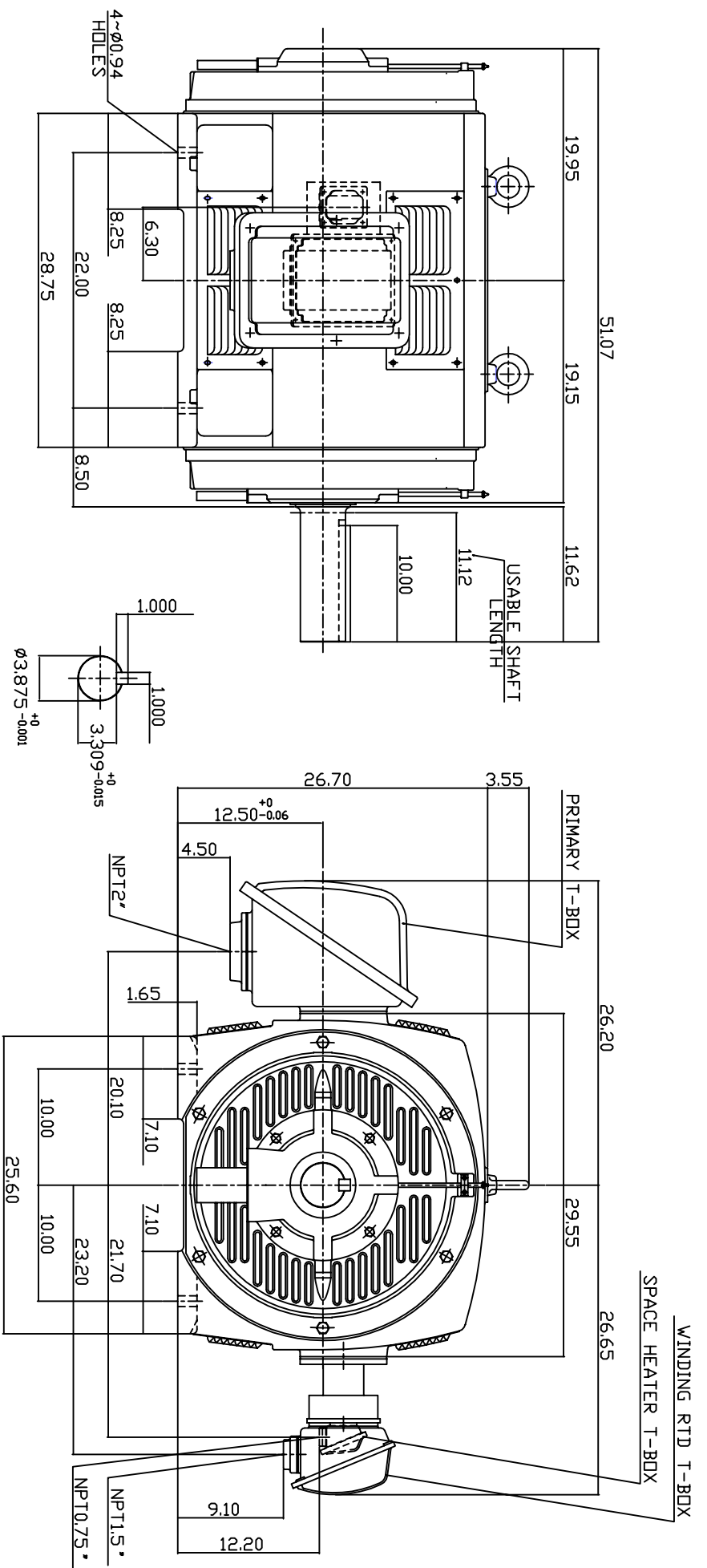


TYPE	OUTPUT		POLE	TIME RATING	VOLTAGE	HZ	SYN. SPEED
	HP.	KW.					
ASHA	300	224	4	CONT.	2300/4160	60	1800

WEATHER PROTECTED TYPE I. SQUIRREL-CAGE ROTOR



NOTE:

1. DIMENSIONS IN INCH.
2. FRAME NO. 5007B
3. F CLASS INSULATION, S.F.115
4. FOR BELT DRIVE APPLICATIONS
5. WITH SPACE HEATER 120 VOLT SINGLE PHASE 200 WATTS
6. 100 OHM PLATINUM WINDING RTD'S 2/PHASE
7. BEARING SIZE: DRIVE END: 6324
NON-DRIVE END: 6320
8. MOTOR APPROX. WEIGHT: 2650 LBS

TW-56C

DWN.	W.LLIN	APR-15-2003
CHKD.	W.LLIN	APR-15-2003
APPD.	C.WANG	APR-15-2003

DATE	MAY 5, 2004	OUTLINE DIMENSIONS
CATALOG NO.	P3004	3-PHASE INDUCTION MOTOR

TECO **Westinghouse**

DWG NO. 3A040T3757 REV. 00