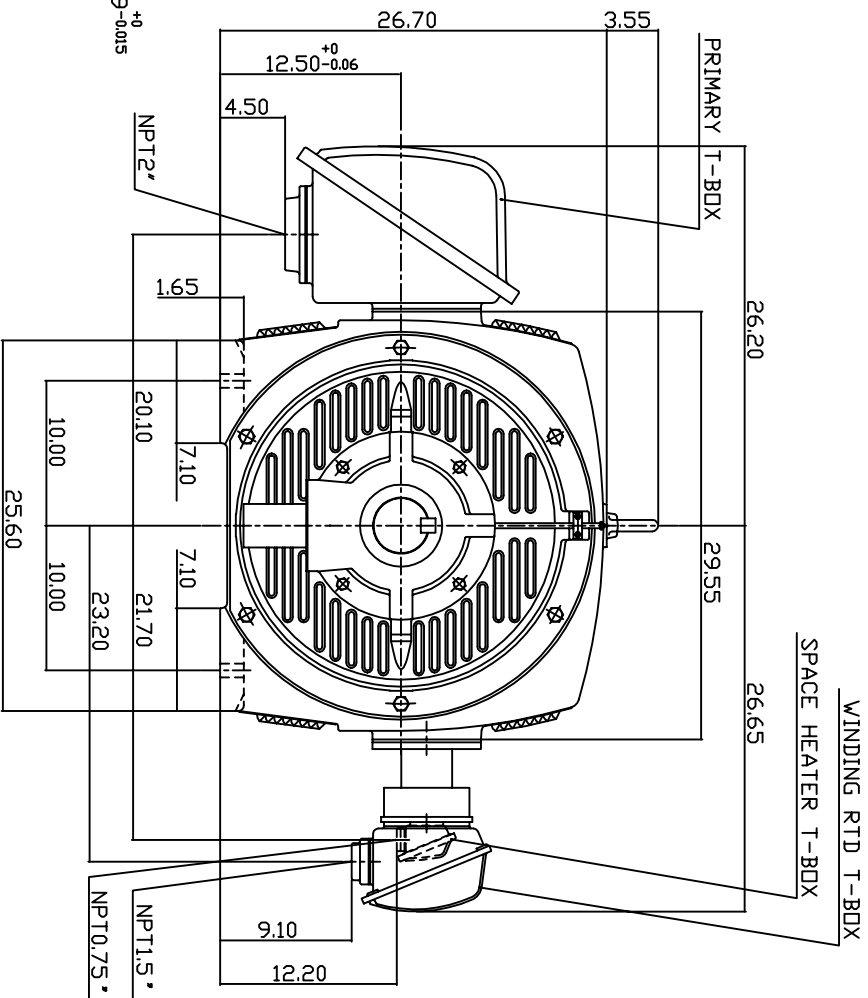
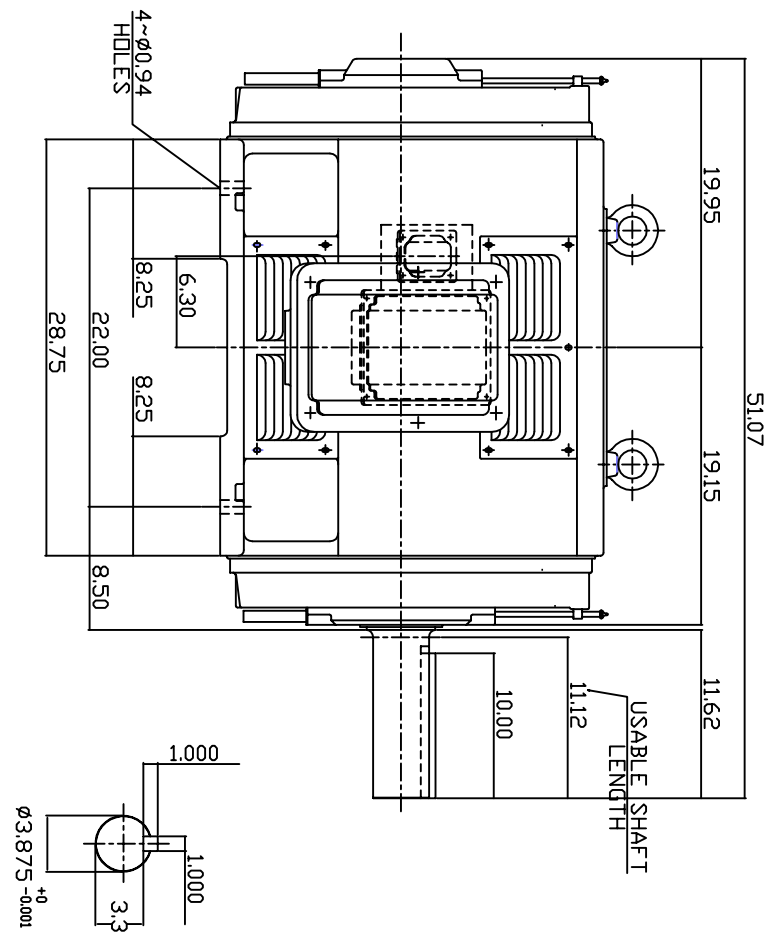


| TYPE | OUTPUT |     | POLE | TIME RATING | VOLTAGE   | Hz | SYN. SPEED R.P.M. |
|------|--------|-----|------|-------------|-----------|----|-------------------|
|      | HP.    | KW. |      |             |           |    |                   |
| ASHA | 250    | 187 | 6    | CONT.       | 2300/4160 | 60 | 1200              |

WEATHER PROTECTED TYPE I. SQUIRREL-CAGE ROTOR



NOTE:

1. DIMENSIONS IN INCH.
2. FRAME NO. 5007C
3. F CLASS INSULATION, SF.1.15
4. FOR BELT DRIVE APPLICATIONS
5. WITH SPACE HEATER 120 VOLT SINGLE PHASE 200 WATTS
6. 100 OHM PLATINUM WINDING RTD'S 2/PHASE
7. BEARING SIZE: DRIVE END: NU324 NON-DRIVE END: 6320
8. MOTOR APPROX. WEIGHT: 3250 LBS

TW-56C

|       |        |             |
|-------|--------|-------------|
| DWN.  | W.LLIN | APR-15-2003 |
| CHKD. | W.LLIN | APR-15-2003 |
| APPD. | C.WANG | APR-15-2003 |

|             |             |                         |
|-------------|-------------|-------------------------|
| DATE        | MAY 5, 2004 | OUTLINE DIMENSIONS      |
| CATALOG NO. | P2506R      | 3-PHASE INDUCTION MOTOR |



DWG NO. 3A040T3756 REV: 00