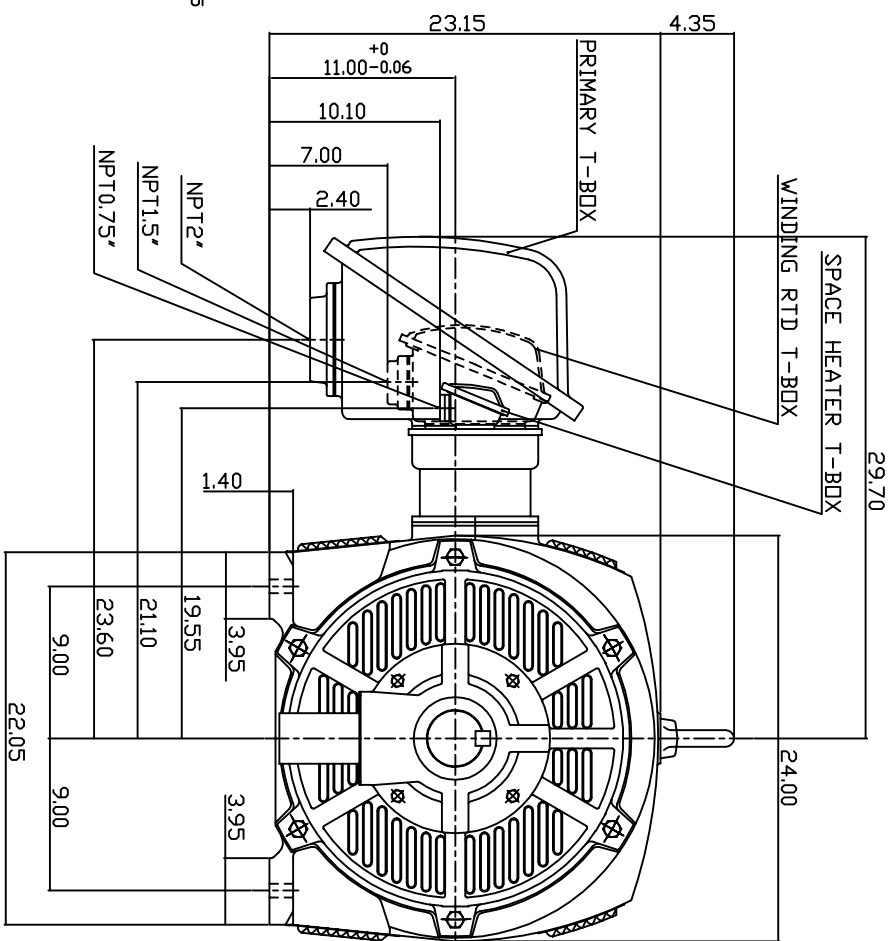
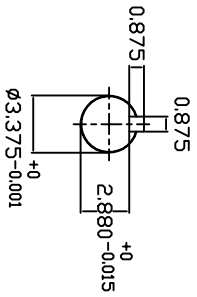
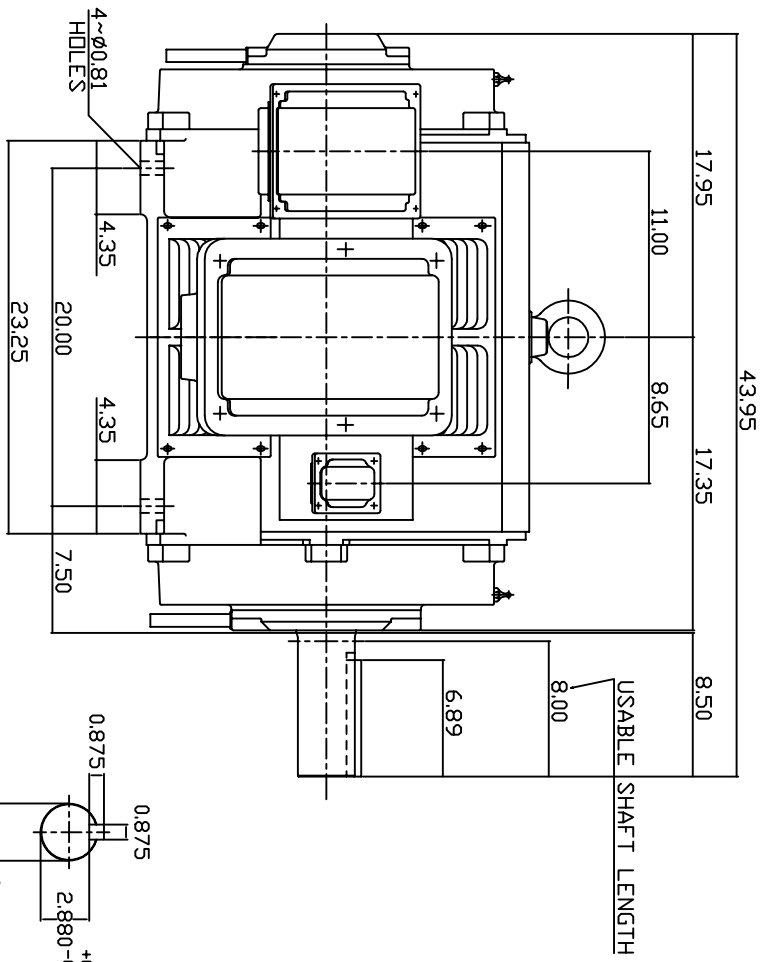


TYPE	OUTPUT		POLE	TIME RATING	VOLTAGE V	Hz	SYNSPEED R.P.M
	HP.	KW.					
ASHA	125	93	6	CDNT.	2300/4160	60	1200

WEATHER PROTECTED TYPE I, SQUIRREL-CAGE ROTOR



NOTE:

1. DIMENSIONS IN INCH.
2. FRAME NO. 447T
3. F CLASS INSULATION, S.F.1.15
4. FOR BELT DRIVE APPLICATIONS
5. WITH SPACE HEATER 120 VOLT SINGLE PHASE 200 WATTS
6. 100 OHM PLATINUM WINDING RTD'S 2/PHASE
7. BEARING SIZE: DRIVE END: NU320
NON-DRIVE END: 6318
8. MOTOR APPROX. WEIGHT: 1850 LBS

TW-56C

DWN.	W.LLIN	APR. 14 2003
CHKD.	W.LLIN	APR. 14 2003
APPD.	C.WANG	APR. 14 2003

DATE	MAY 5, 2004	OUTLINE DIMENSIONS
CATALOG NO	P1256R	3-PHASE INDUCTION MOTOR

TECO Westinghouse DWG NO. 3A040T3700 REV: 00