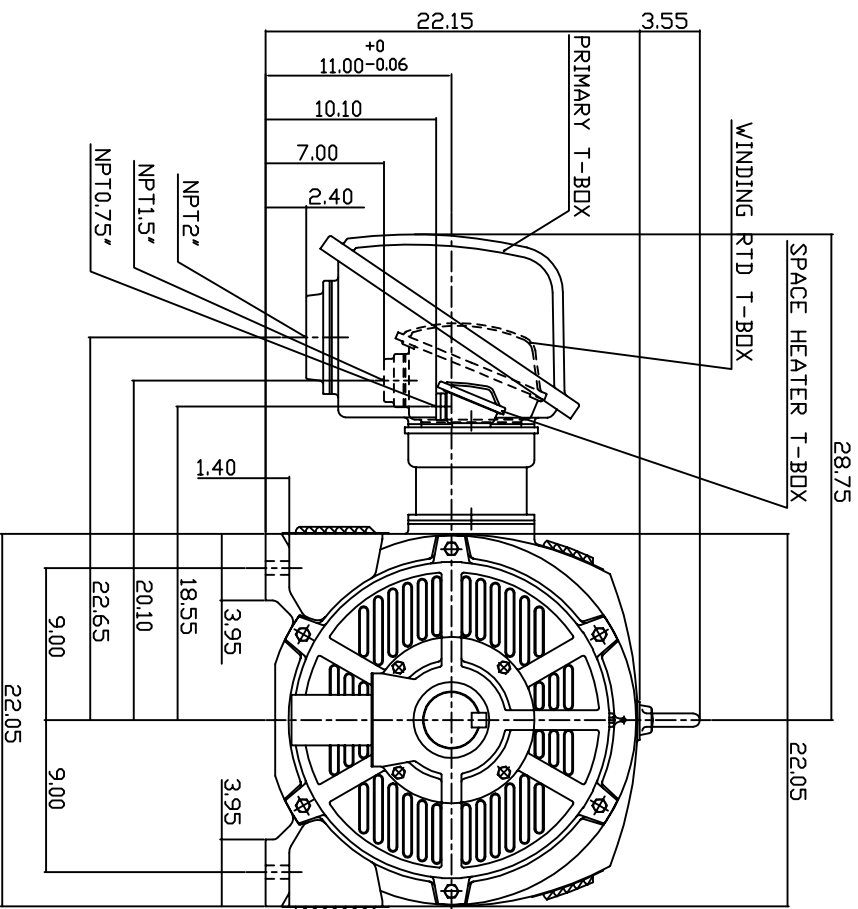
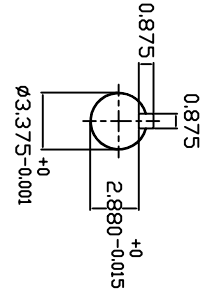
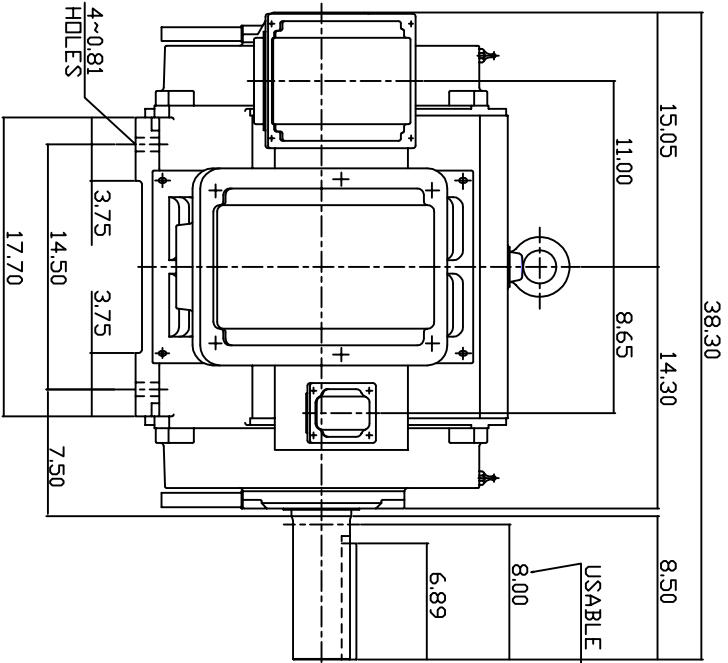


| TYPE | OUTPUT |     | POLE | TIME RATING | VOLTAGE V | Hz | SYN SPEED R.P.M |
|------|--------|-----|------|-------------|-----------|----|-----------------|
|      | HP.    | KW. |      |             |           |    |                 |
| ASHA | 125    | 93  | 4    | CDNT.       | 2300/4160 | 60 | 1800            |

WEATHER PROTECTED TYPE I, SQUIRREL-CAGE ROTOR



NOTE:

1. DIMENSIONS IN INCH.
2. FRAME NO. 444T
3. F CLASS INSULATION, S.F.115
4. FOR DIRECT FLEXIBLE COUPLING
5. WITH SPACE HEATER 120 VOLT SINGLE PHASE 150 WATTS
6. 100 OHM PLATINUM WINDING RTD'S 2/PHASE
7. BEARING SIZE: DRIVE END: 6318  
NON-DRIVE END: 6318
8. MOTOR APPROX. WEIGHT: 1325 LBS

TW-56C

|       |        |             |
|-------|--------|-------------|
| DWN.  | W.LLIN | APR-14-2003 |
| CHKD. | W.LLIN | APR-14-2003 |
| APPD. | C.WANG | APR-14-2003 |

|                         |             |                    |
|-------------------------|-------------|--------------------|
| DATE                    | MAY 5, 2004 | OUTLINE DIMENSIONS |
| CATALOG NO.             | P1254       |                    |
|                         |             |                    |
| 3-PHASE INDUCTION MOTOR |             |                    |

TECO Westinghouse  
DVG NO. 3A040T3661  
REV. 00