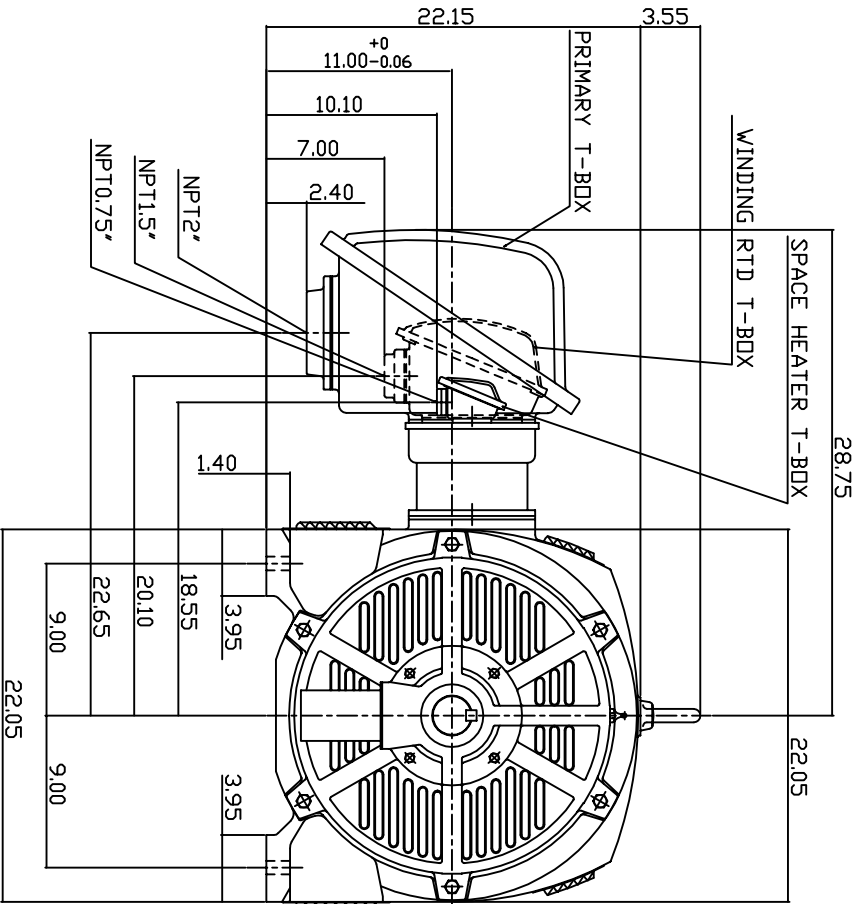
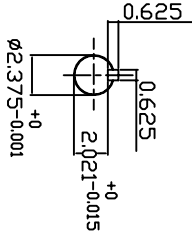
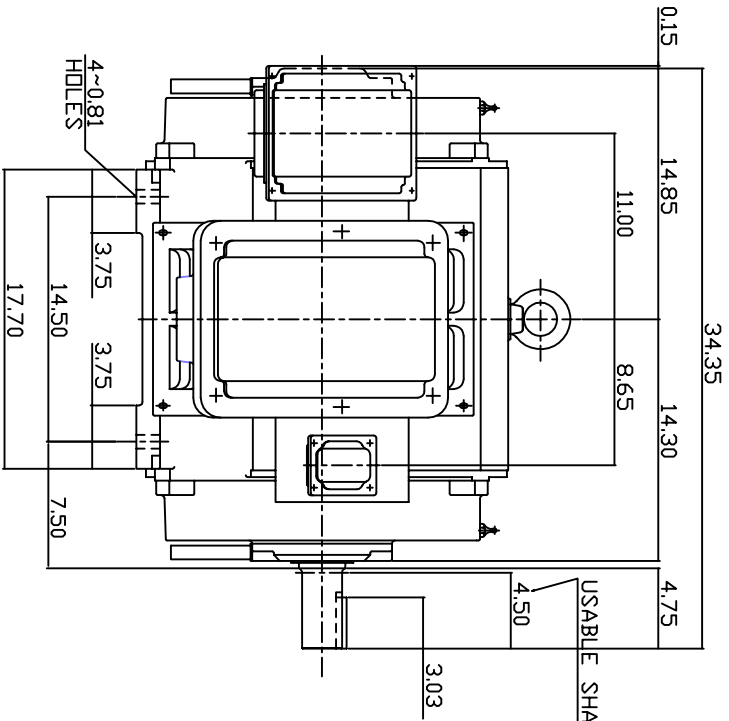


TYPE	OUTPUT		POLE	TIME RATING	VOLTAGE V	Hz	SYNSPEED R.P.M
	HP.	KW.					
ASHA	125	93	2	CDNT.	2300/4160	60	3600

WEATHER PROTECTED TYPE I, SQUIRREL-CAGE ROTOR



NOTE:

1. DIMENSIONS IN INCH.
2. FRAME NO. 444TS
3. F CLASS INSULATION, S.F.1.15
4. FOR DIRECT FLEXIBLE COUPLING
5. WITH SPACE HEATER 120 VOLT SINGLE PHASE 150 WATTS
6. 100 OHM PLATINUM WINDING RTD'S 2/PHASE
7. BEARING SIZE: DRIVE END: 6314C3  
NDN-DRIVE END: 6314C3
8. MOTOR APPROX. WEIGHT: 1300 LBS

TW-56C

DWN.	W.L.LIN	APR-14-2003
CHKD.	W.L.LIN	APR-14-2003
APPD.	C.WANG	APR-14-2003

DATE	MAY 5, 2004	OUTLINE DIMENSIONS
CATALOG NO.	P1252	3-PHASE INDUCTION MOTOR

TECO Westinghouse DWG NO. 3A040T3651 REV: 00