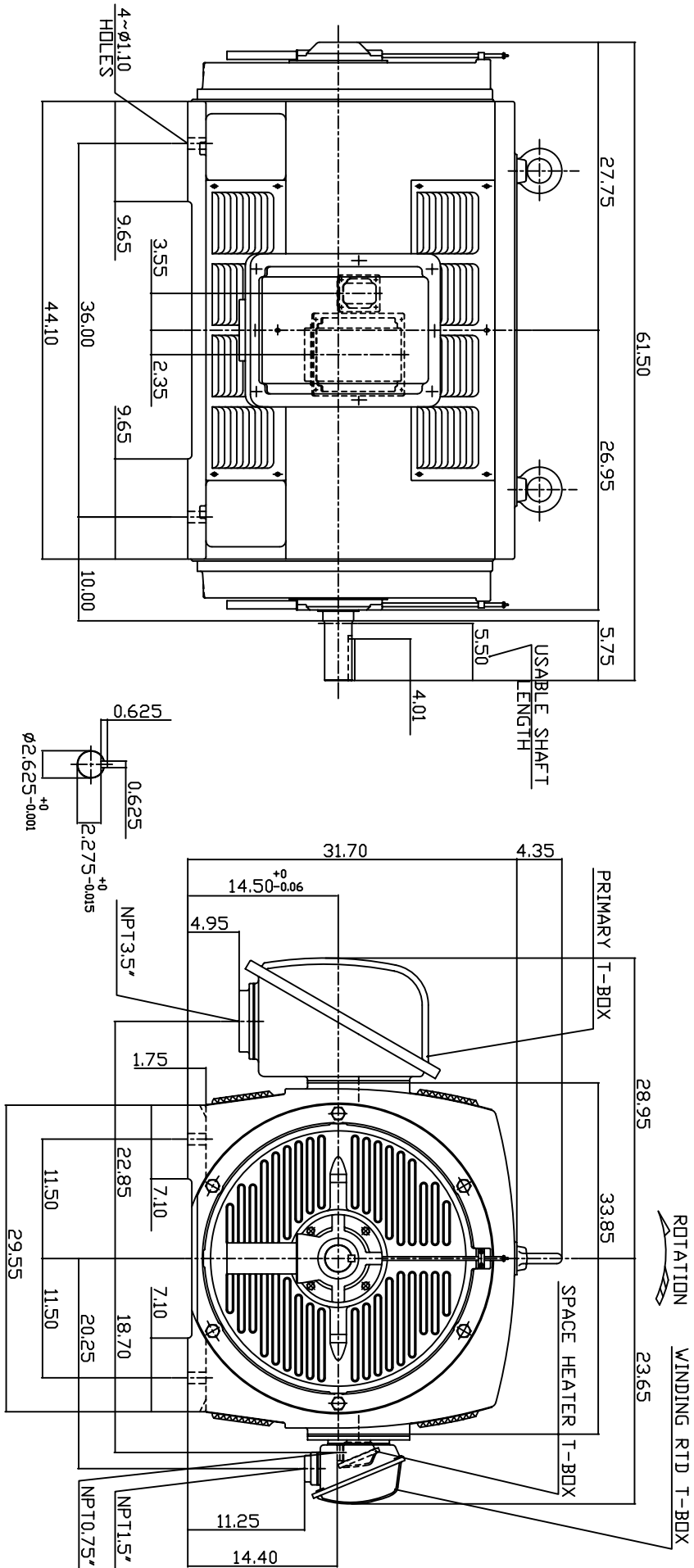


TYPE	OUTPUT		POLE	TIME RATING	VOLTAGE	Hz	SYN SPEED
	HP.	KW.					
ASHA	1000	671	2	CONT.	2300/4160	60	3600

WEATHER PROTECTED TYPE I. SQUIRREL-CAGE ROTOR



NOTE: DIMENSIONS IN INCH.

1. FRAME NO. 5810A
2. F CLASS INSULATION, S.F.1.15
3. FOR DIRECT FLEXIBLE COUPLING
4. WITH SPACE HEATER 120 VOLT SINGLE PHASE 250 WATTS
5. 100 OHM PLATINUM WINDING RTD'S 2/PHASE
6. BEARING SIZE: DRIVE END: 6315C3  
NON-DRIVE END: 6315M/C3 VL024
7. MOTOR APPROX. WEIGHT: 5950 LBS
8. MOTOR APPROX. WEIGHT: 5950 LBS

TW-66C

DWN.	W.LLIN	APR-17-2003
CHKD.	W.LLIN	APR-17-2003
APPD.	C.WANG	APR-17-2003

DATE	OUTLINE DIMENSIONS
MAY 5, 2004	3-PHASE INDUCTION MOTOR
CATALOG NO. P10002	

TECO Westinghouse Dwg No. 3A040T3872 REV. 00