

OUTLINE DIMENSIONS

MOTOR TYPE:
AEUH8P-XXX

DATE

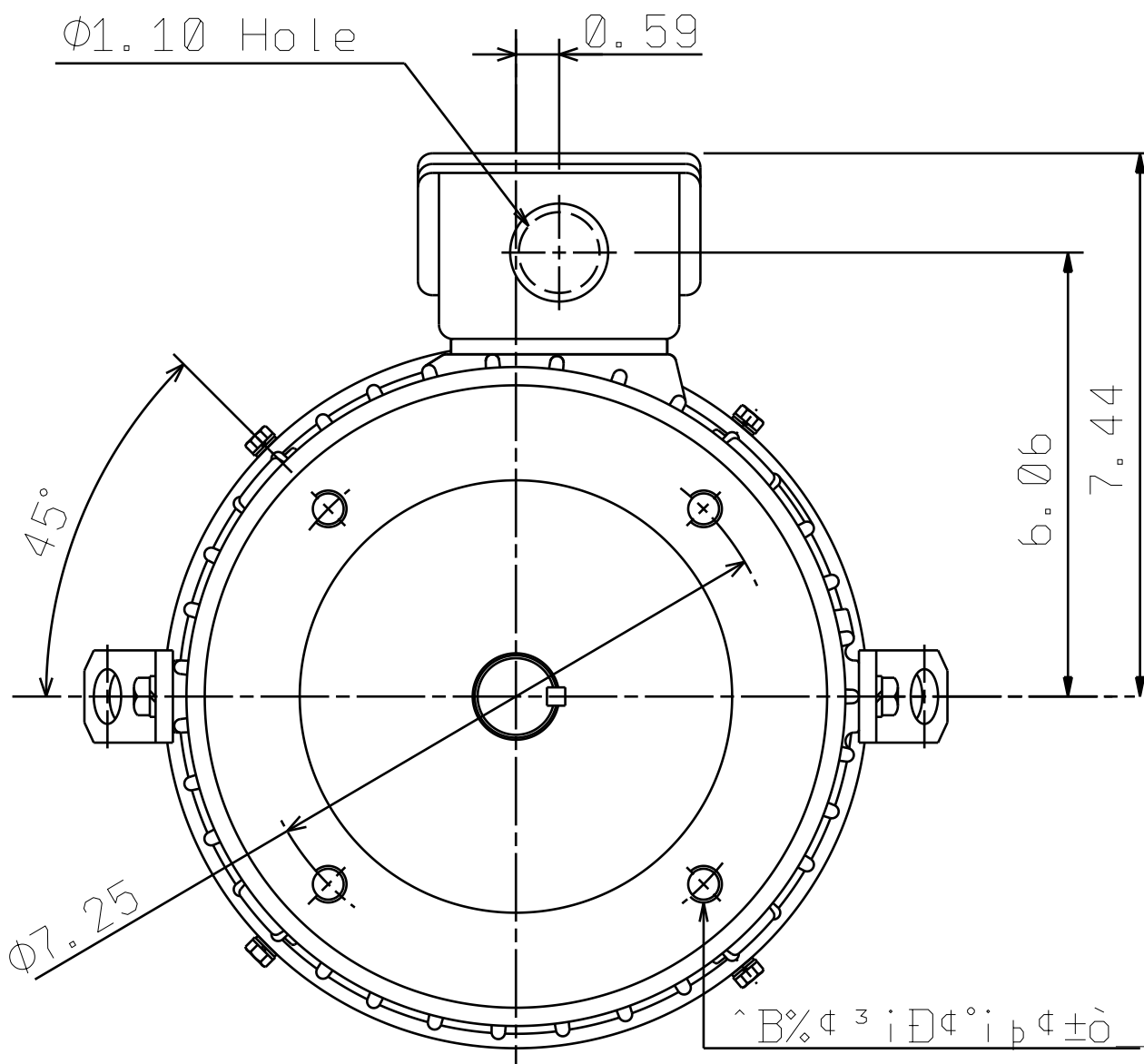
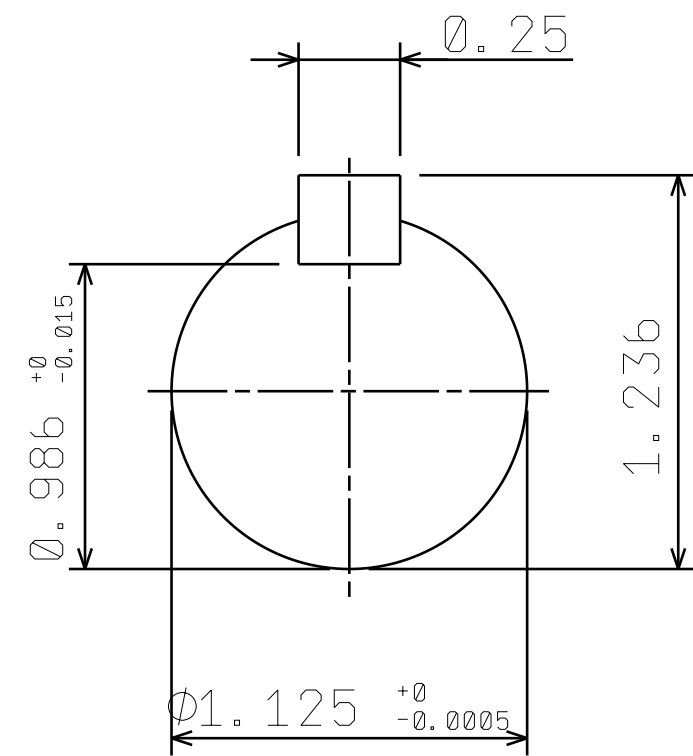
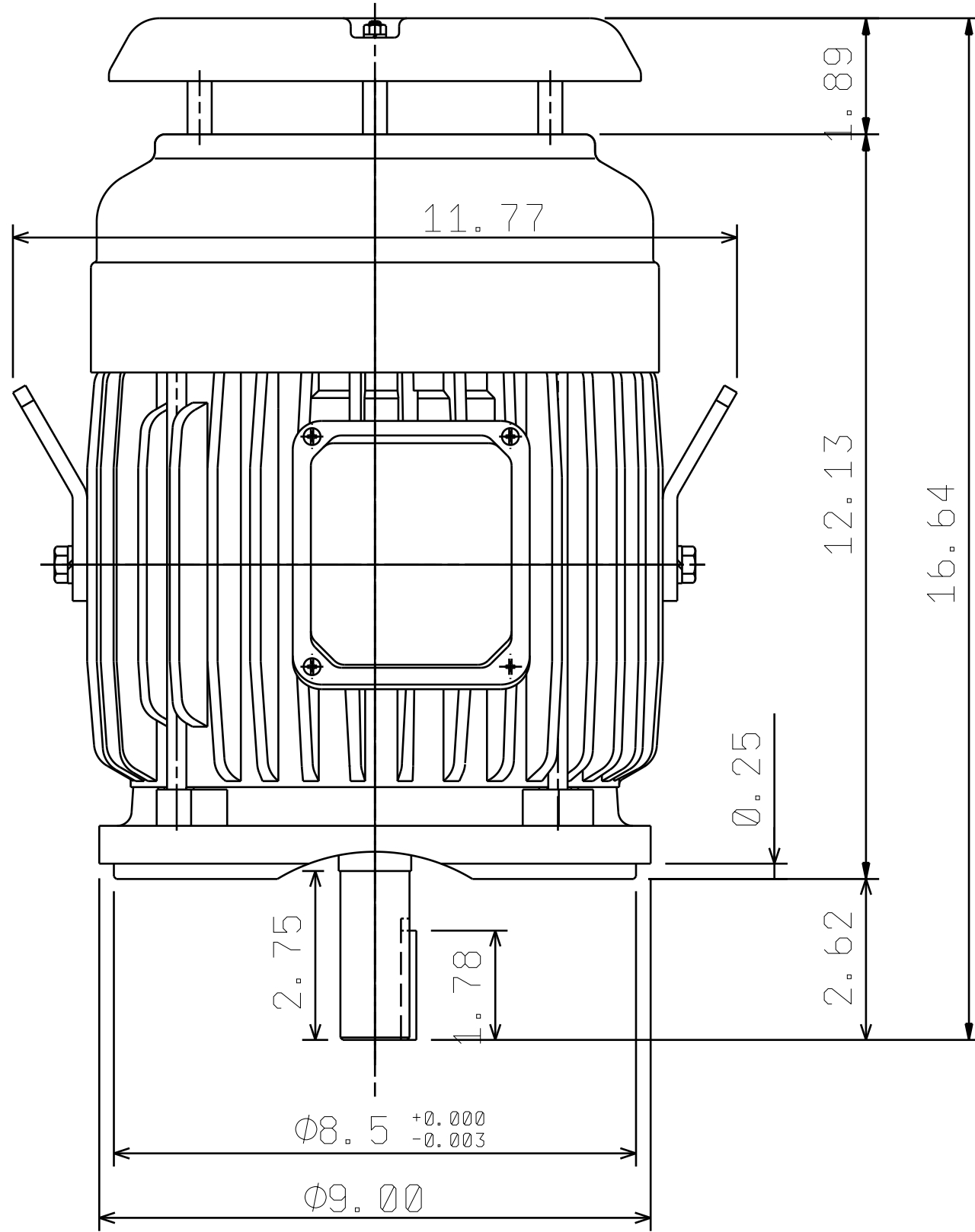
3-PHASE INDUCTION MOTOR

FRAME NO. 182TC

Pole	HP	kW	Hz	VOLT	r/min
6	1.5	1.119	60	230/460	1200

Ins	Rating	Dimension in	Approx Weight	Bearings
F	CONT.	inches		DE: 6306ZZ NDE: 6306ZZ

Totally Enclosed Fan-Cooled Vertical Type. Squirrel-Cage Rotor.



TAI17142-00-01

□			
---	--	--	--

DWG.	^ B%\$0007AM	東元電機股份有限公司 TECO Electric & Machinery Co., Ltd. TAIWAN	DWG NO.
CHKD.	^ B%R041017		31057A209330
APPD.	^ B%R041017		