

DATE  
JAN. 15, 2015

CAT. #: NP7/52G

# OUTLINE DIMENSIONS

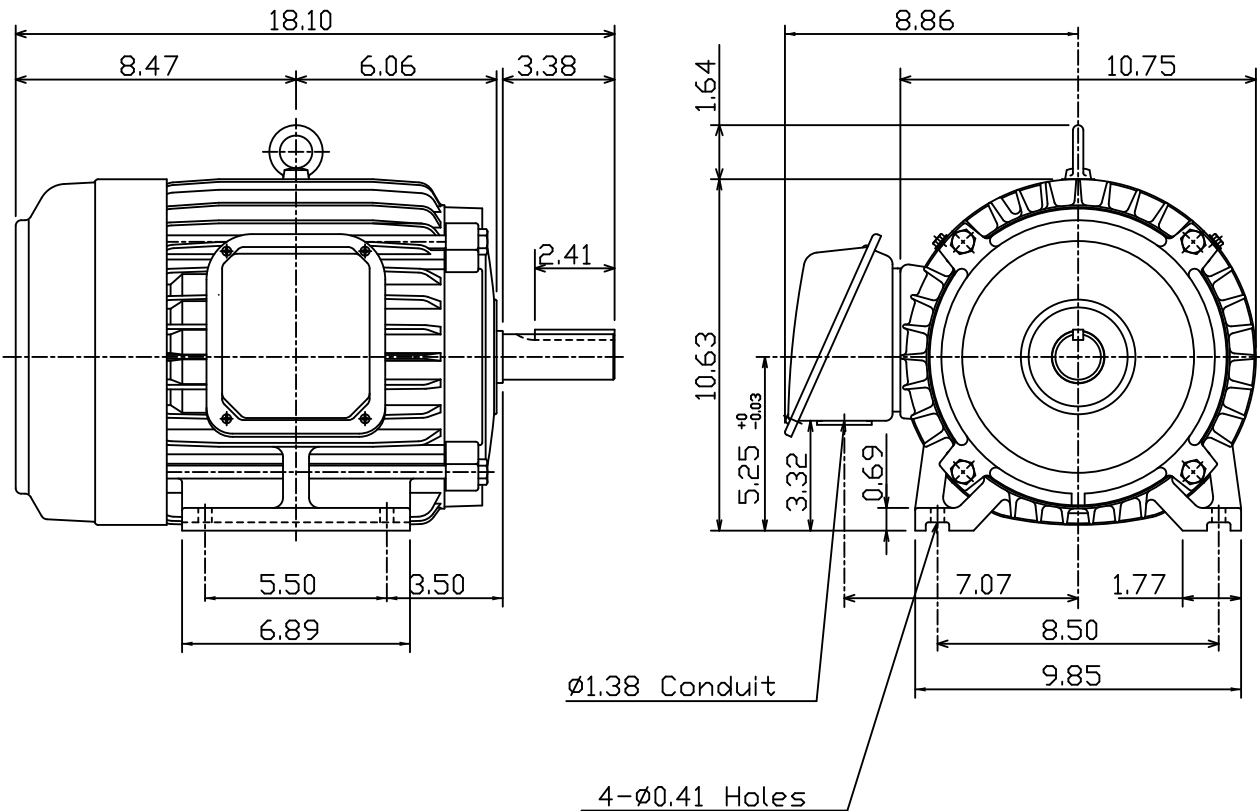
## 3-PHASE INDUCTION MOTOR

MOTOR TYPE:  
AEHH8P-SGR

FRAME NO. 213T

Pole	HP	kW	Hz	VOLT	Syn.Speed r/min(rpm)
2	7.5	5.6	60	230/460	3600
Ins	Rating	Dimension in	Approx Weight	Bearings	
F	CONT.	inch	150 lbs.	DE: 6308ZZ NDE: 6306ZZ	

Totally Enclosed Fan-Cooled Type, Squirrel-Cage Rotor.



NOTE:  
1. Shaft Grounding Ring installed-NDE

09.24.01

S.L.CHIAN

DWN.	J.H.LIANG	05-20-99
CHKD.	C.S.LO	05-26-99
APPD.	Y.B.HUANG	05-26-99



DWG NO.  
31049D191451