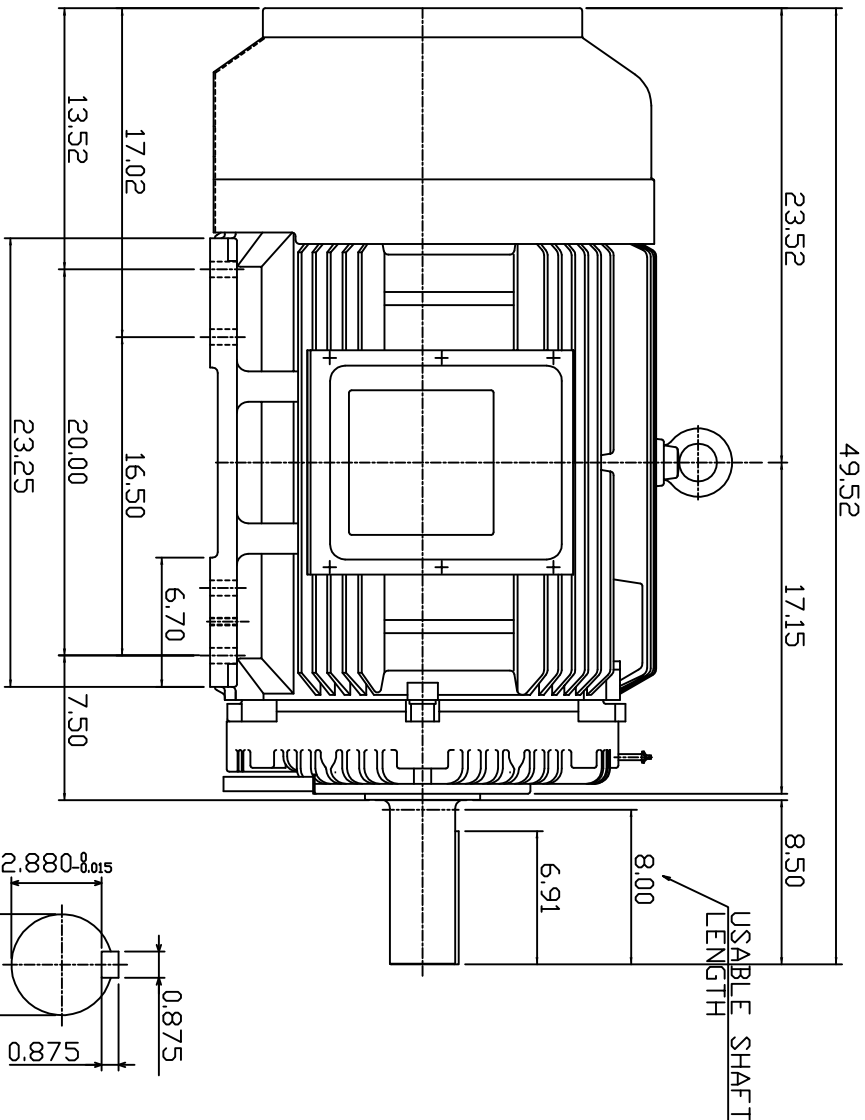
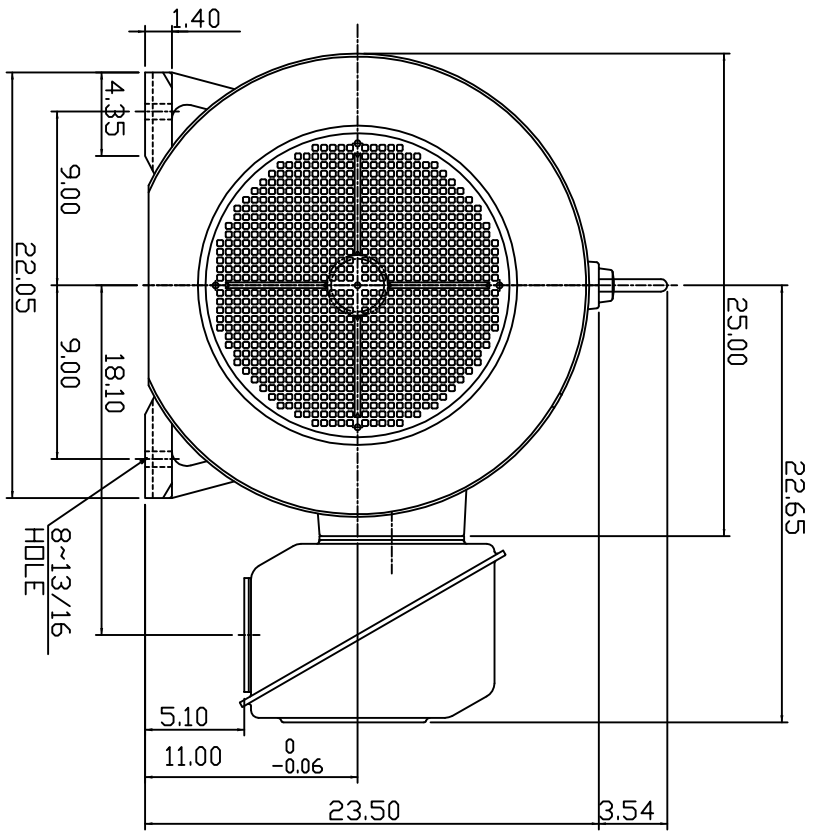


TYPE	OUTPUT		POLE	TIME RATING	VOLTAGE V	Hz	SYN SPEED R.P.M
	HP.	KW.					
AEHH8P	200	149.2	4	CDNT.	380	50	1500

TOTALLY ENCLOSED FAN-COOLED TYPE, SQUIRREL-CAGE ROTOR



- NOTE:
1. DIMENSIONS IN INCHES
  2. FRAME SIZE 447T
  3. F CLASS INSULATION, S.F. 1.0
  4. FOR BELTED APPLICATION
  5. BEARING NO.: DRIVE END: NU320C3  
DPP, DRIVE END: 6316C3
  6. ENCLDSURE: IP44
  7. APPRDX. WEIGHT: 2300 LBS

DWN.	SLEE	JAN. 26 -2011
CHKD.	SLEE	JAN. 26 -2011
APPD.	H.LIU	JAN. 26 -2011

DATE: MARCH 2, 2011  
CATALOG #: NP2004R

OUTLINE DIMENSIONS  
3-PHASE INDUCTION MOTOR



DWG. NO. 3A049DWB10464-27  
REV. 00