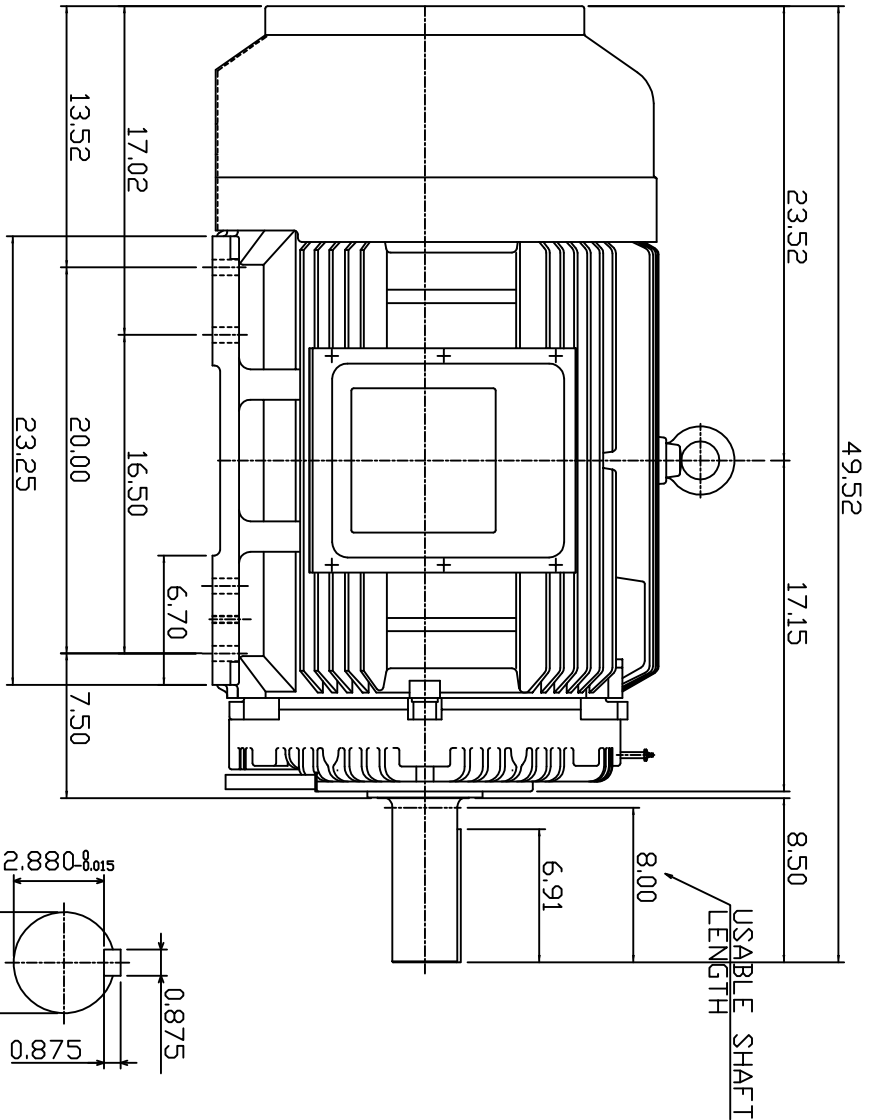
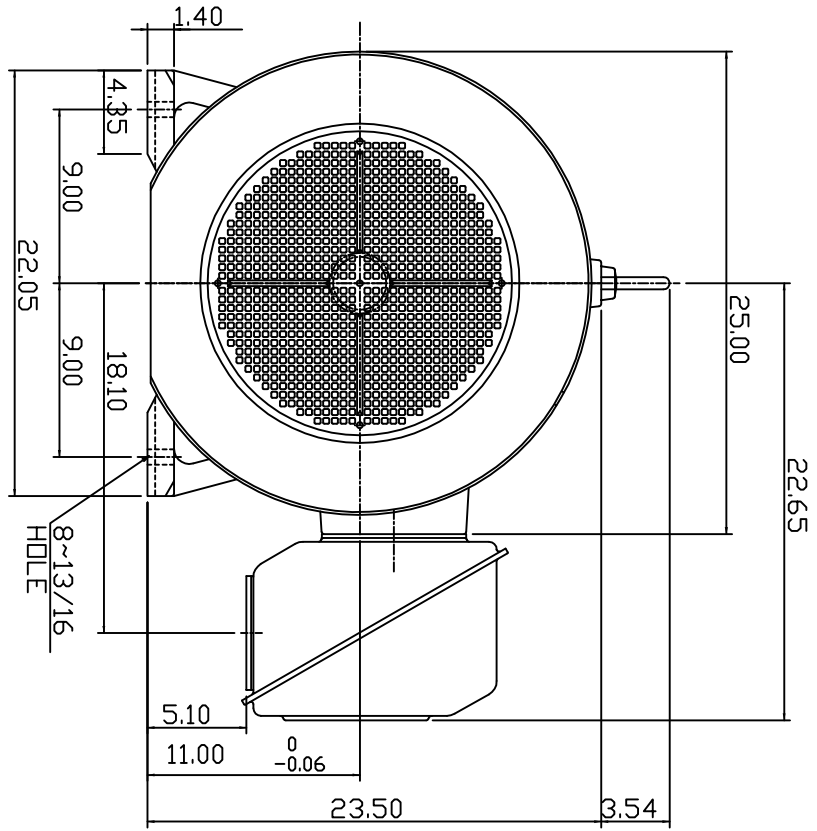
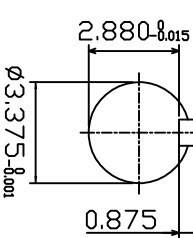


TYPE	OUTPUT		POLE	TIME RATING	VOLTAGE V	Hz	SYN SPEED R.P.M
	HP.	KW.					
AEHH8P	150	111.9	6	CDNT.	460	60	1200

TOTALLY ENCLOSED FAN-COOLED TYPE, SQUIRREL-CAGE ROTOR



SHAFT END
[ENLARGED VIEW]



NOTE:

1. DIMENSIONS IN INCHES
2. FRAME SIZE 447T
3. F CLASS INSULATION, S.F. 1.15
4. FOR DIRECT FLEXIBLE COUPLING
5. BEARING ND: DRIVE END: 6320C3
DPP, DRIVE END: 6316C3
6. ENCLDSURE: IP44
7. APPRDX. WEIGHT: 2170 LBS

DATE	DESCRIPTION	BY	DATE
MARCH 2, 2011	OUTLINE DIMENSIONS		
	3-PHASE INDUCTION MOTOR		

DATE	DESCRIPTION	BY	DATE
MARCH 2, 2011	OUTLINE DIMENSIONS		
	3-PHASE INDUCTION MOTOR		

CATALOG # NP1506

DATE: MARCH 2, 2011
CATALOG #: NP1506
DWTG NO. 3A049DWB10464-27
REV: 00



DWG NO. 3A049DWB10464-27
REV: 00

DWN.	SLEE	JAN. 26 '2011
CHKD.	SLEE	JAN. 26 '2011
APPD.	HLIU	JAN. 26 '2011