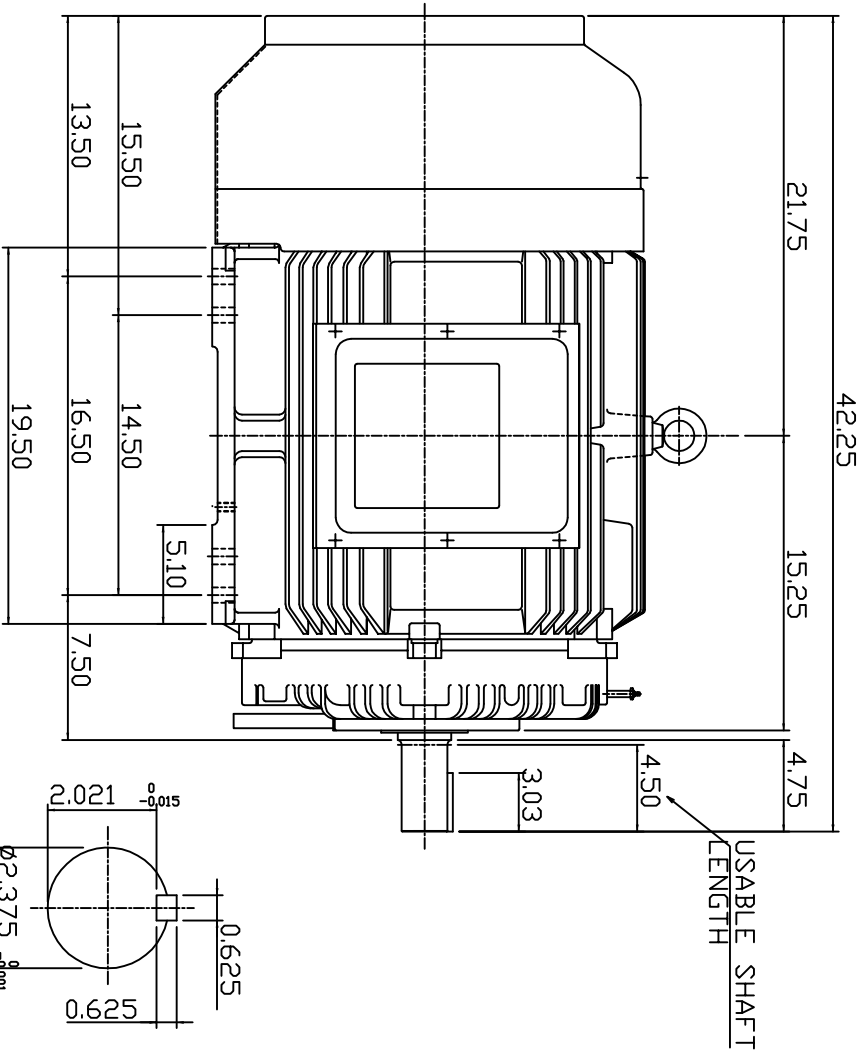
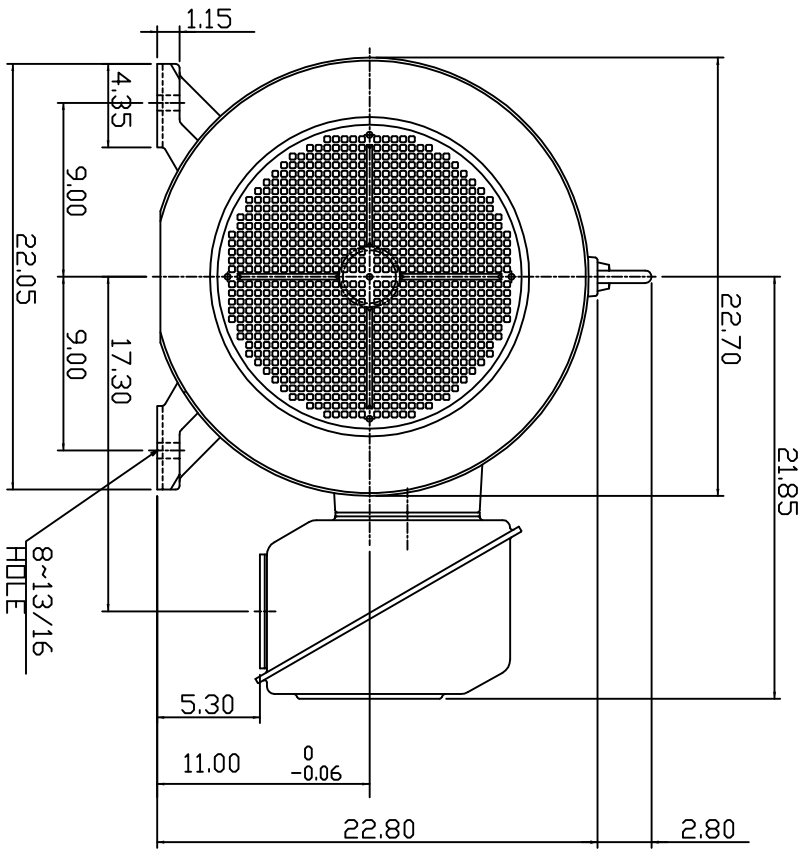


TYPE	OUTPUT		POLE	TIME RATING	VOLTAGE V	Hz	SYN SPEED R.P.M
	HP.	KW.					
AEHH8P	150	111.9	4	CONT.	460	60	1800

TOTALLY ENCLOSED FAN-COOLED TYPE, SQUIRREL-CAGE ROTOR



SHAFT END
[ENLARGED VIEW]

USABLE SHAFT
LENGTH

NOTE:

1. DIMENSIONS IN INCHES
2. FRAME SIZE 445TS
3. F CLASS INSULATION, S.F. 1.15
4. FOR DIRECT FLEXIBLE COUPLING
5. BEARING NO.: DRIVE END: 6318C3
OPP. DRIVE END: 6316C3
6. ENCLDSURE: IP44
7. APPRDX. WEIGHT: 1700 LBS

DWN.	SLEE	JAN. 26 '2011
CHKD.	SLEE	JAN. 26 '2011
APPD.	H.LIU	JAN. 26 '2011

DATE	DUTLINE	DIMENSIONS
FEB. 11, 2011	3-PHASE INDUCTION MOTOR	
CATALOG #:	NP1504S	



DWG NO. 3A049DWB10464-22
REV: 00