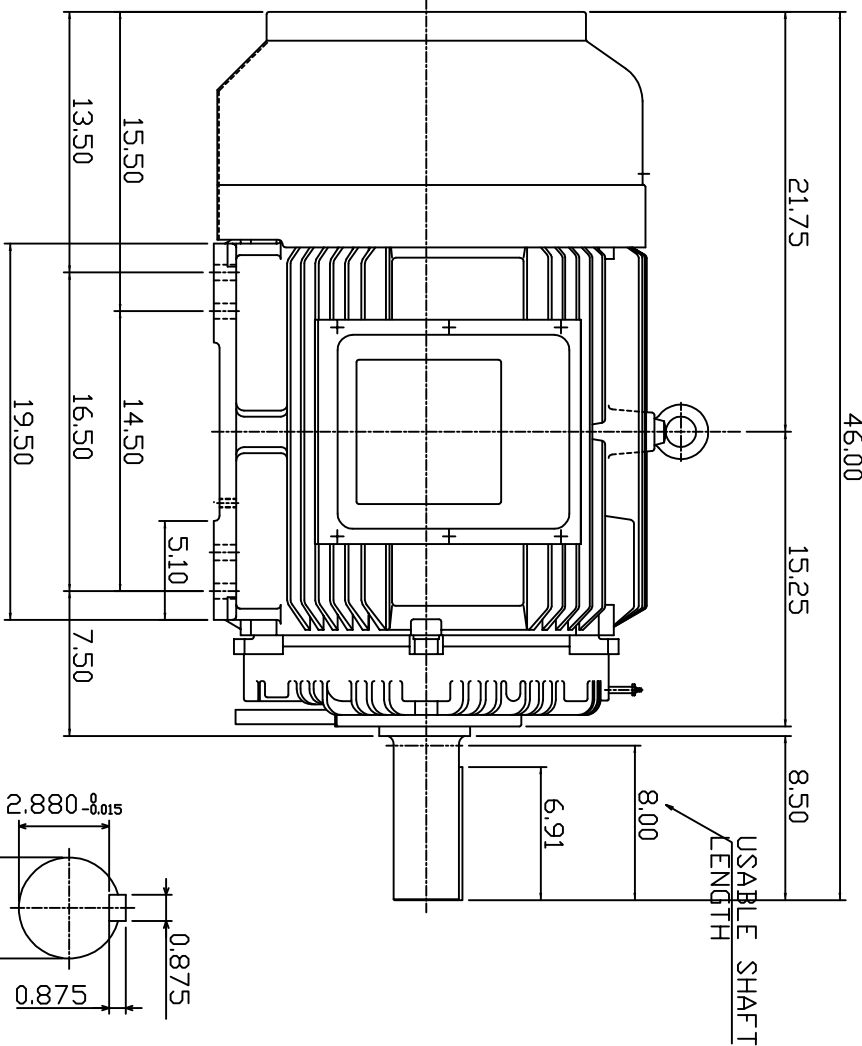
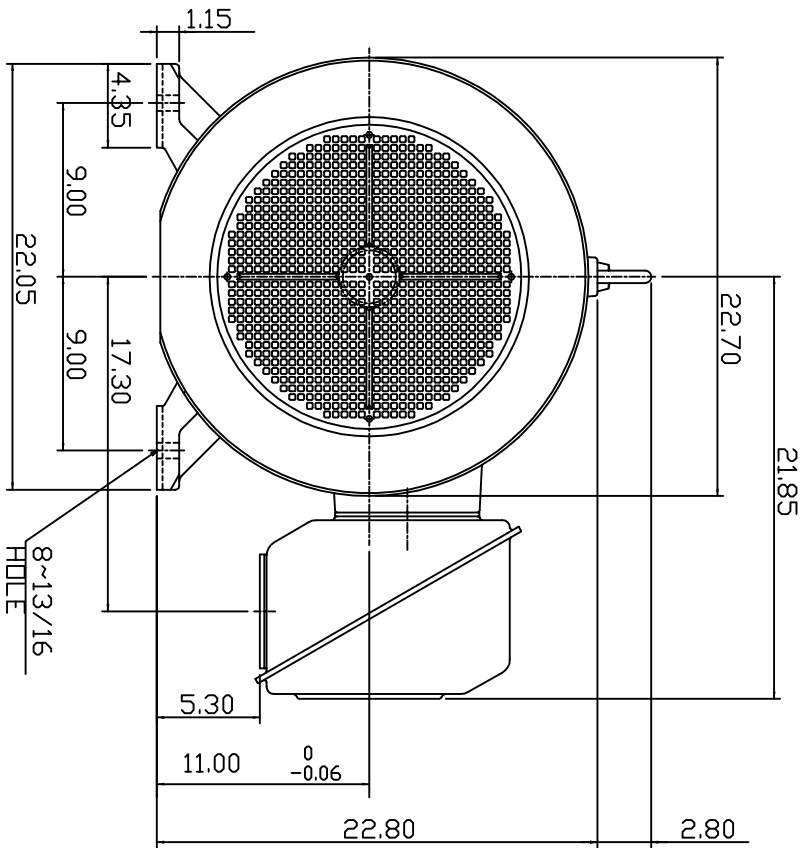


| TYPE   | OUTPUT |       | POLE | TIME RATING | VOLTAGE V | Hz | SYN SPEED RPM |
|--------|--------|-------|------|-------------|-----------|----|---------------|
|        | HP.    | KW.   |      |             |           |    |               |
| AEHH8P | 150    | 111.9 | 4    | CONT.       | 380       | 50 | 1500          |

TOTALLY ENCLOSED FAN-COOLED TYPE, SQUIRREL-CAGE ROTOR



NOTE:

1. DIMENSIONS IN INCHES
2. FRAME SIZE 445T
3. F CLASS INSULATION, S.F. 1.0
4. FOR DIRECT FLEXIBLE COUPLING
5. BEARING NO.: DRIVE END: 6318C3  
DPP, DRIVE END: 6316C3
6. ENCLOSURE: IP44
7. APPROX. WEIGHT: 1700 LBS

| DATE              |       | OUTLINE DIMENSIONS |                         |
|-------------------|-------|--------------------|-------------------------|
| DWN.              | SLEE  | JAN. 26 2011       | 3-PHASE INDUCTION MOTOR |
| CHKD.             | SLEE  | JAN. 26 2011       |                         |
| APPD.             | H.LIU | JAN. 26 2011       |                         |
| CATALOG #:        |       | DVG NO. REV. 00    |                         |
| NP1504            |       | 3A049DWB10464-26   |                         |
| TECO Westinghouse |       |                    |                         |

SHAFT END  
[ENLARGED VIEW]