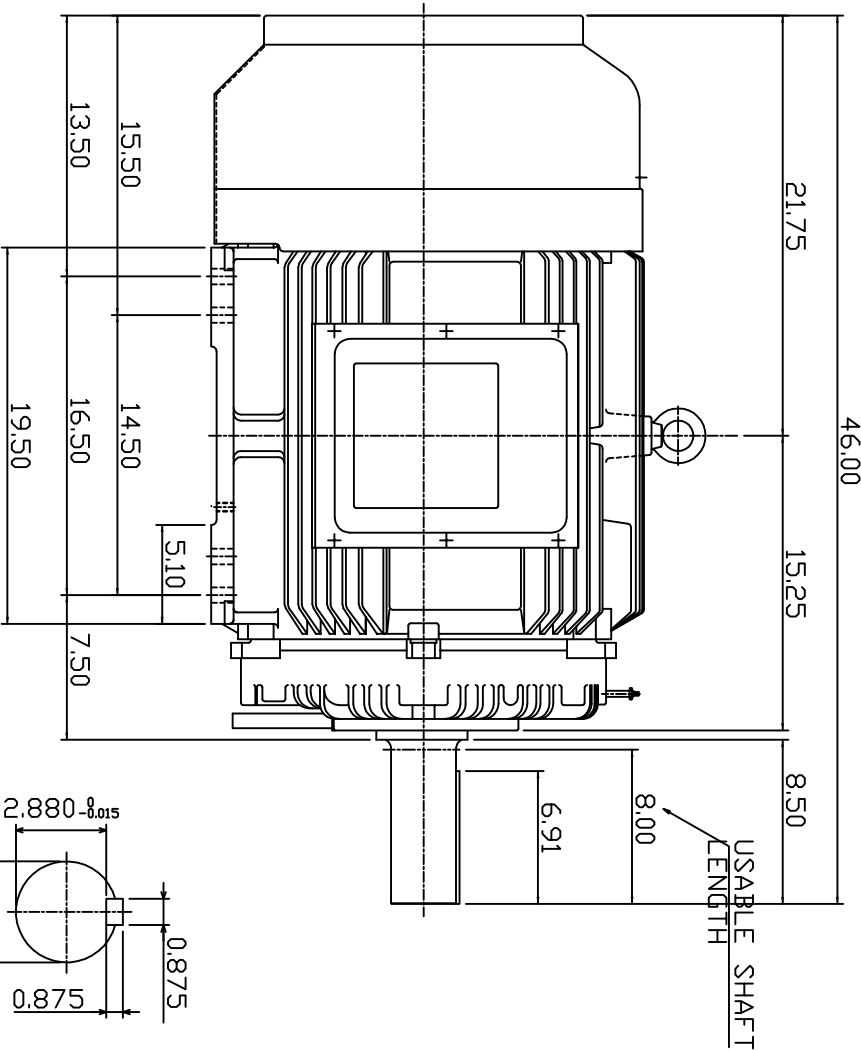
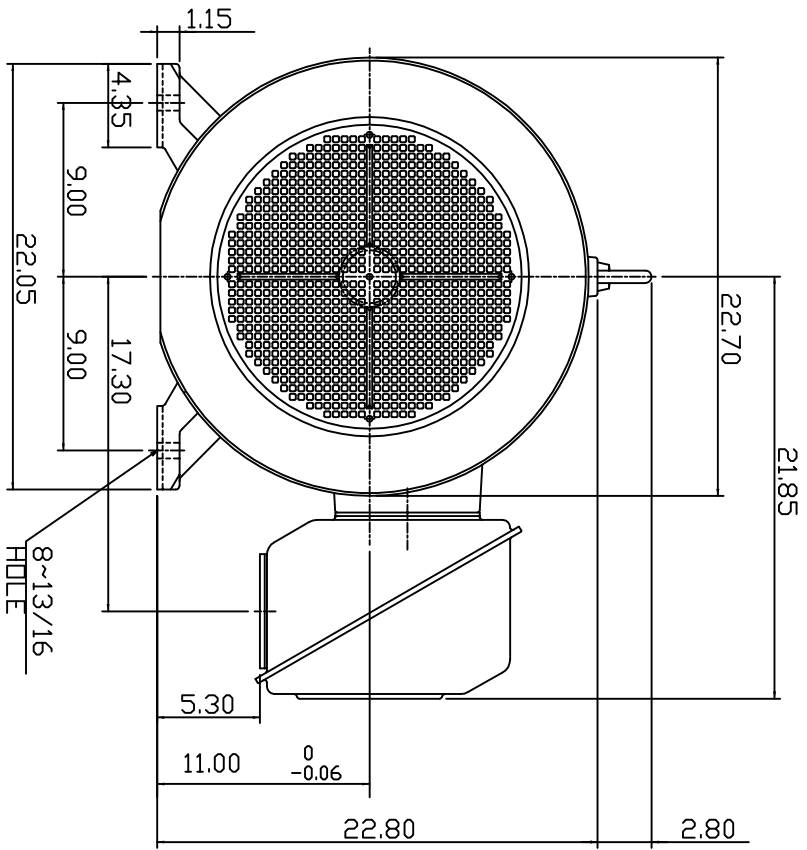
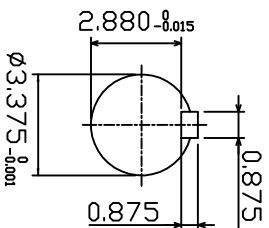


| TYPE | OUTPUT | | POLE | TIME RATING | VOLTAGE V | Hz | SYN SPEED R.P.M |
|--------|--------|------|------|-------------|-----------|----|-----------------|
| | HP. | KW. | | | | | |
| AEHH8P | 125 | 93.3 | 6 | CONT. | 230/460 | 60 | 1200 |

TOTALLY ENCLOSED FAN-COOLED TYPE, SQUIRREL-CAGE ROTOR



SHAFT END
[ENLARGED VIEW]



NOTE:

1. DIMENSIONS IN INCHES
2. FRAME SIZE 445T
3. F CLASS INSULATION, S.F. 1.15
4. FOR BELTED APPLICATION
5. BEARING NO.: DRIVE END: NU318C3
OPP. DRIVE END: 6316C3
6. ENCLOSURE: IP44
7. APPRDX. WEIGHT: 1800 LBS

| | | |
|-------|-------|---------------|
| DWN. | SLEE | JAN. 26 '2011 |
| CHKD. | SLEE | JAN. 26 '2011 |
| APPD. | H.LIU | JAN. 26 '2011 |

DATE FEB. 11, 2011

CATALOG # NP1256R

OUTLINE DIMENSIONS

3-PHASE INDUCTION MOTOR



DWG NO. 3A049DWB10464-26
REV: 00