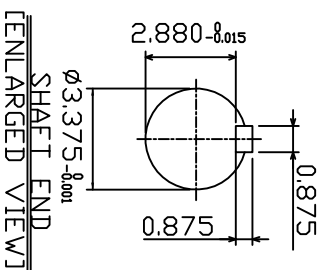
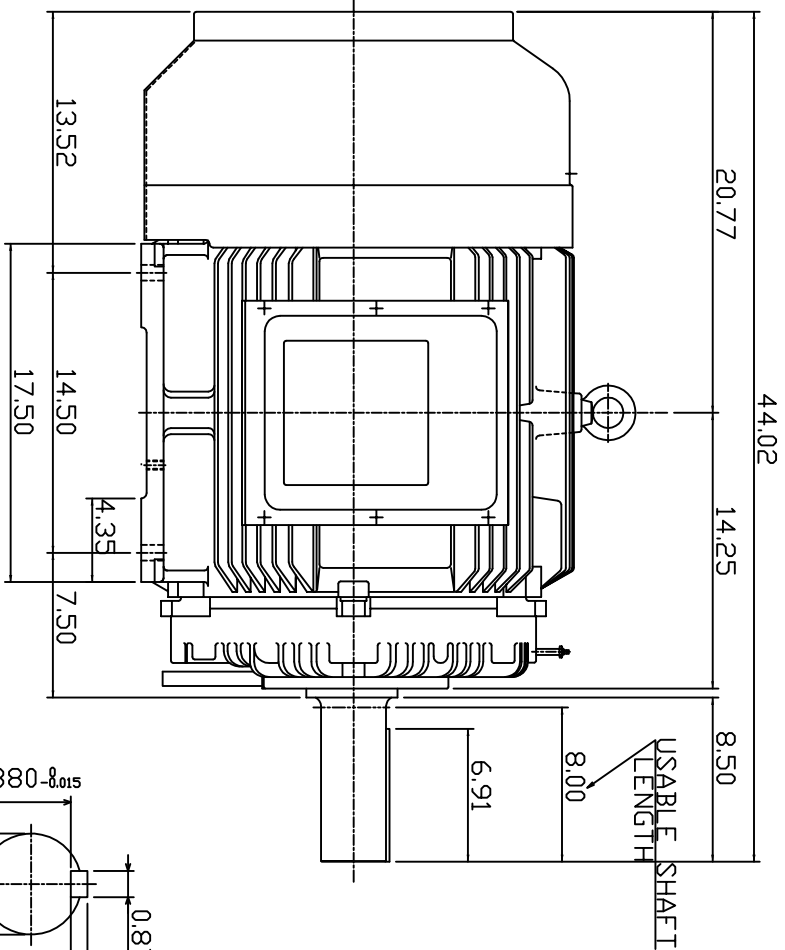
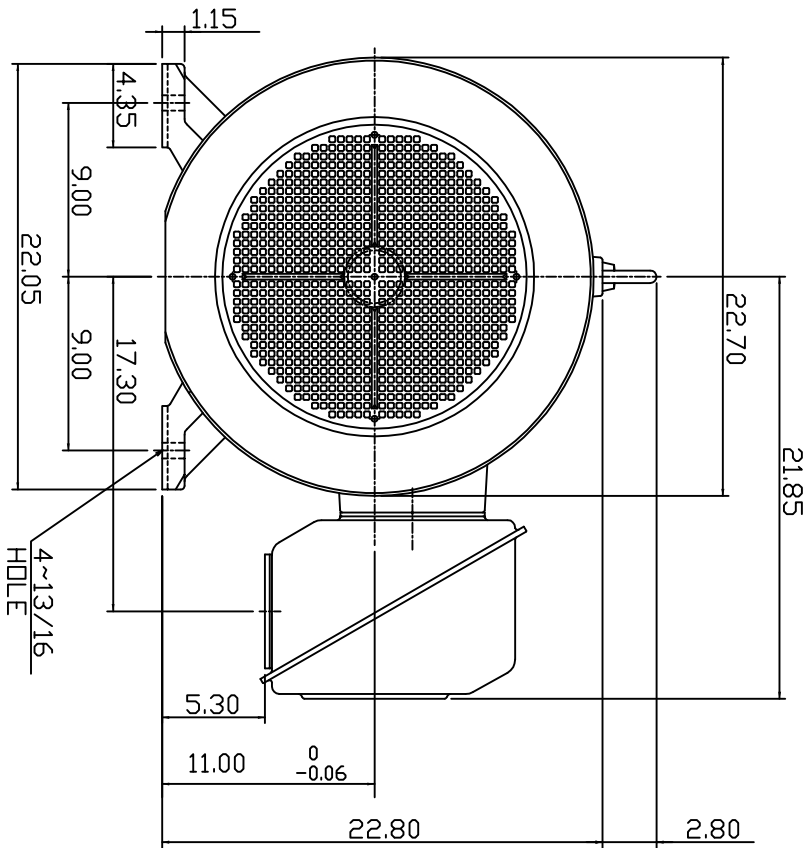


TYPE	OUTPUT		POLE	TIME RATING	VOLTAGE V	Hz	SYN. SPEED R.P.M
	HP.	KW.					
AEHH8P	100	74.6	6	CONT.	190/380	50	1000

TOTALLY ENCLOSED FAN-COOLED TYPE, SQUIRREL-CAGE ROTOR



SHAFT END
[ENLARGED VIEW]

NOTE:

1. DIMENSIONS IN INCHES
2. FRAME SIZE 444T
3. F CLASS INSULATION, S.F. 1.0
4. FOR BELTED APPLICATION
5. BEARING NO.: DRIVE END: NU318C3
OPP. DRIVE END: 6316C3
6. ENCLOSURE: IP44
7. APPROX. WEIGHT: 1580 LBS

DWN.	SLEE	JAN. 26 .2011
CHKD.	SLEE	JAN. 26 .2011
APPD.	H.LIU	JAN. 26 .2011

DATE	FEB. 11, 2011	DUTLINE DIMENSIONS
CATALOG #:	NP1006R	3-PHASE INDUCTION MOTOR



DWG NO. 3A049DWB10464-25
REV: 00