

DATE  
DEC. 16, 2012

CAT. #: NP1004S

# OUTLINE DIMENSIONS

## 3-PHASE INDUCTION MOTOR

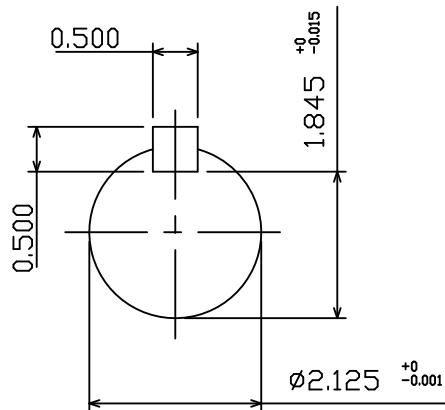
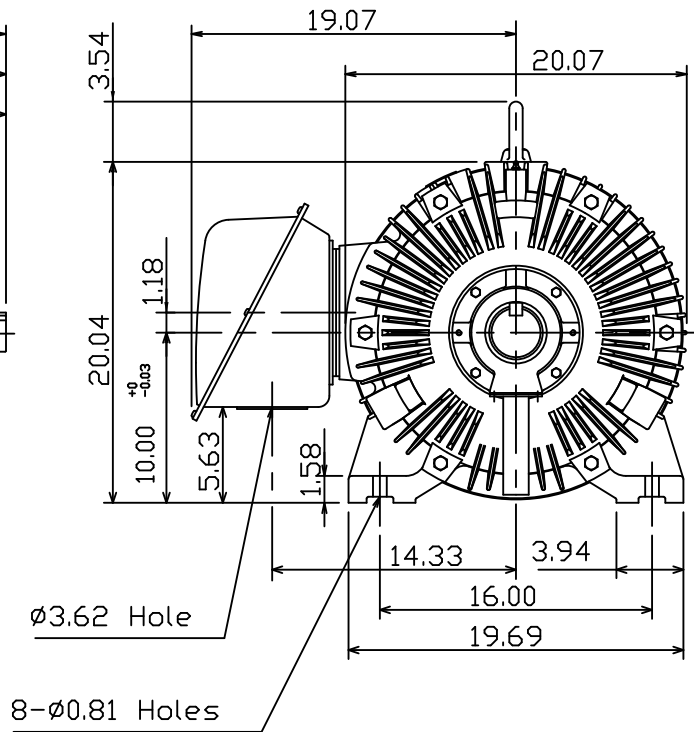
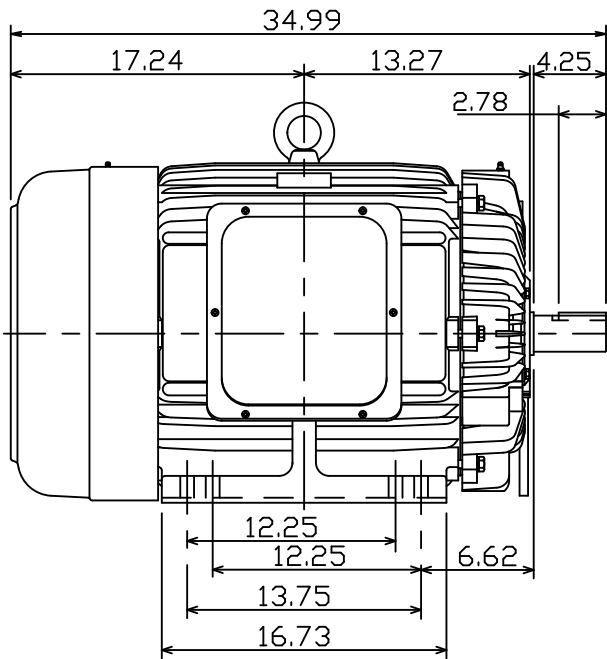
MOTOR TYPE:  
AEHH8P

FRAME NO. 405TS

Pole	HP	kW	Hz	VOLT	Syn.Speed r/min(rpm)
4	100	74.6	60	230/460	1800

Ins	Rating	Dimension in	Approx Weight	Bearings
F	CONT.	inch	1068 lbs.	DE: 6313C3 NDE: 6313C3

Totally Enclosed Fan Cooled Type.Squirrel-cage Rotor.



DWN.	K.L.KUD	12 06 10
CHKD.	K.L.KUD	12 07 10
APPD.	M.C.TSAI	12 07 10

**TECO** **Westinghouse**

DWG NO.  
31049M241700