

DATE  
JUNE 27, 2011

# OUTLINE DIMENSIONS

## 3-PHASE INDUCTION MOTOR

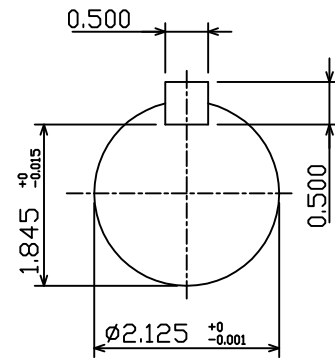
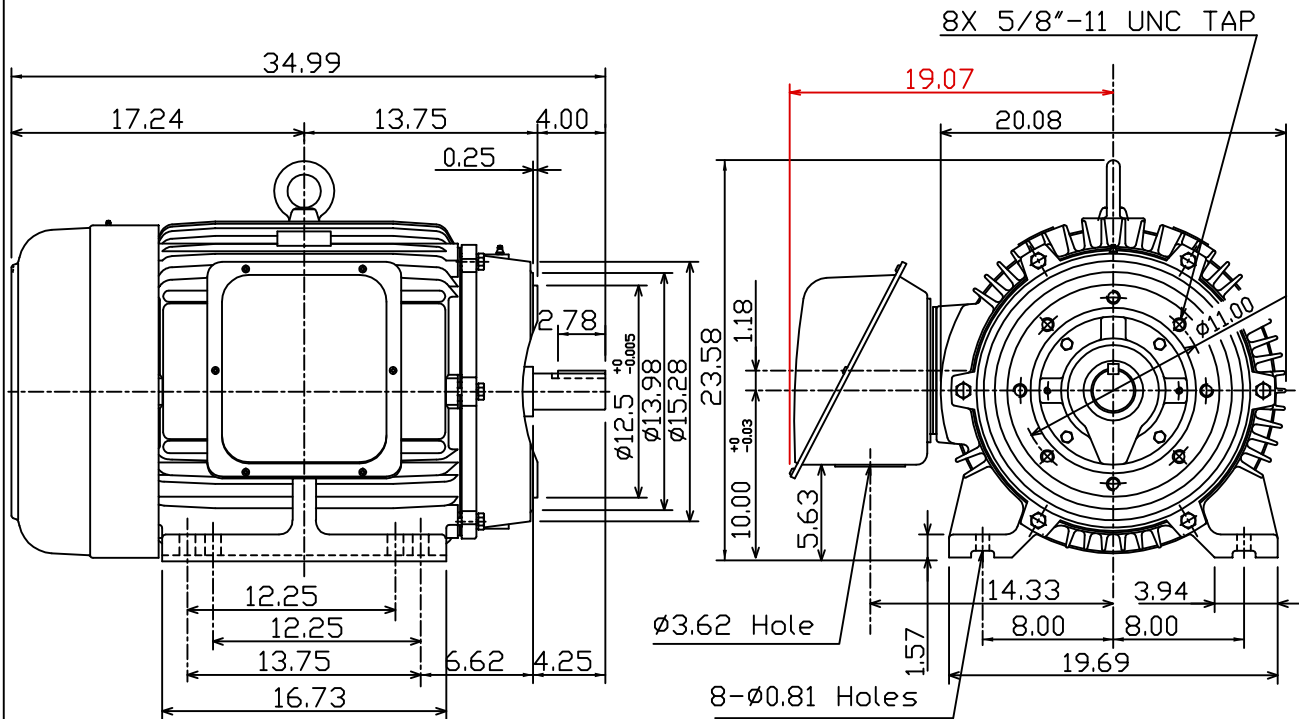
MOTOR TYPE:  
AEHH8P-CF  
FRAME NO. 405TSC

CAT. #: NP1002C

Pole	HP	kW	Hz	VOLT	Syn.Speed r/min(rpm)
2	100	75	60	230/460	3600

Ins	Rating	Dimension in	Approx Weight	Bearings
F	CONT.	inch	1145 lbs.	DE: 6313C3 NDE: 6313C3

Totally Enclosed Fan Cooled Type.Squirrel-cage Rotor.



DWN.	K.L.KUD	04-21-11
CHKD.	K.L.KUD	04-21-11
APPD.	M.C.TSAI	04-21-11

TECO Westinghouse

DWG NO.  
31049M241720