

DATE  
DEC. 16, 2010  
CAT. #: NP1002

# OUTLINE DIMENSIONS

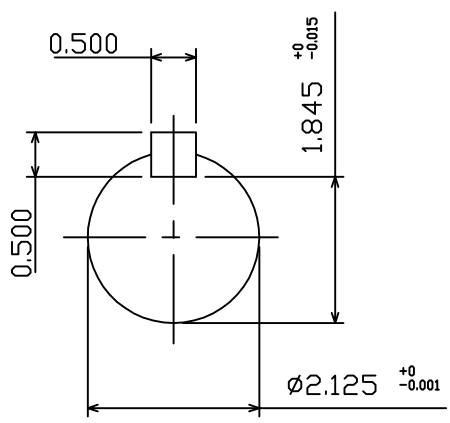
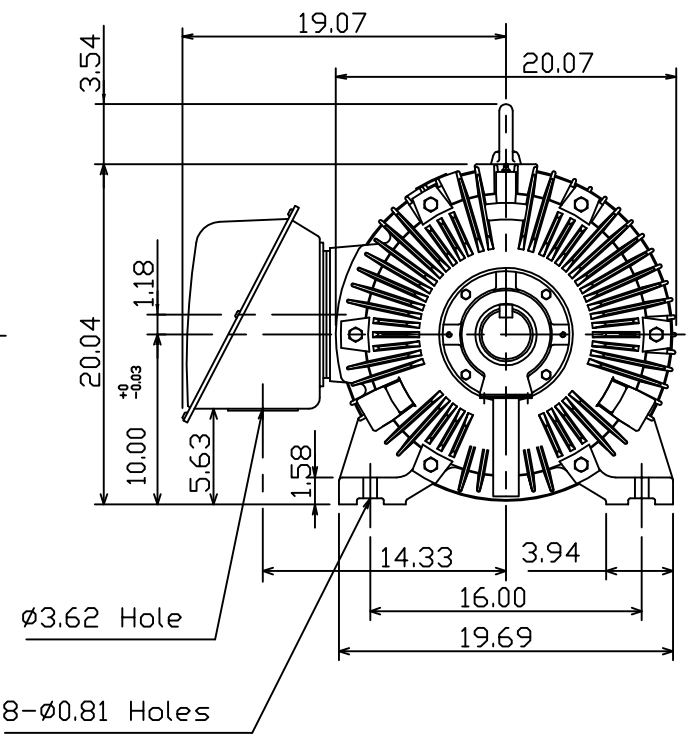
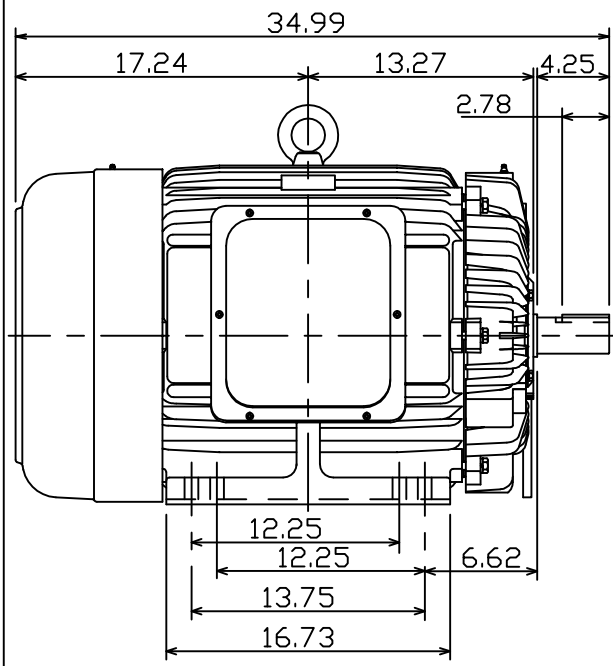
## 3-PHASE INDUCTION MOTOR

MOTOR TYPE:  
AEHH8P  
FRAME NO. 405TS

Pole	HP	kW	Hz	VOLT	Syn.Speed r/min(rpm)
2	100	74.6	60	230/460	3600

Ins	Rating	Dimension in	Approx Weight	Bearings
F	CONT.	inch	1068 lbs.	DE: 6313C3 NDE: 6313C3

Totally Enclosed Fan Cooled Type.Squirrel-cage Rotor.



DWN.	K.L.KUD	12 06 10
CHKD.	K.L.KUD	12 07 10
APPD.	M.C.TSAI	12 07 10



DWG NO.  
31049M241700